



# GORLITZ SEWER & DRAIN INC.

PL 2023  
REV 1

10132 NORWALK BLVD.  
SANTA FE SPRINGS, CA. 90670  
TEL (562) 944-3060  
FAX (562) 944-7630

Email: [sales@gorlitz.com](mailto:sales@gorlitz.com)  
Internet: <http://www.gorlitz.com>

---

---

---

4-Nov-23

## MACHINES WITH OPEN STEEL REELS

MODEL	DESCRIPTION	SIZE	PRICE \$
GO 68HD	GEARED SEWER CLEANING MACHINE	11/16" X 150'	3380.00
GO 68	SEWER CLEANING MACHINE	11/16" X 150'	2925.00
GO 62HD	COMBINATION SEWER CLEANING MACHINE	5/8" X 100', 1/2" X 80', 3/8" X 90'	3050.00
GO 62A HD	SEWER CLEANING MACHINE	5/8" X 100'	2450.00
GO 50	DRAIN CLEANING MACHINE	1/2" X 80'	1425.00
GO 50A	DRAIN CLEANING MACHINE	3/8" X 90'	1400.00
GO 50B	DRAIN CLEANING MACHINE	13/32" X 75'	1406.00
GO 50S	DRAIN CLEANING MACHINE	1/2" X 125'	1540.00

## MACHINES WITH ENCLOSED DRUMS

GO 68HD PE	GEARED SEWER CLEANING MACHINE WITH POLYETHYLENE DRUM	11/16" X 150'	3440.00
GO 68 PE	SEWER CLEANING MACHINE WITH POLYETHYLENE DRUM	11/16" X 150'	2980.00
GO 62HD PE	COMBINATION SEWER CLEANING MACHINE	5/8" X 100', 1/2" X 80', 3/8" X 90'	3100.00
GO 62A HD PE	SEWER CLEANING MACHINE	5/8" X 100'	2480.00
GO 50 PE	DRAIN CLEANING MACHINE WITH POLYETHYLENE DRUM	1/2" X 80'	1460.00
GO 50A PE	DRAIN CLEANING MACHINE WITH POLYETHYLENE DRUM	3/8" X 90'	1440.00
GO 50B PE	DRAIN CLEANING MACHINE WITH POLYETHYLENE DRUM	13/32" X 75'	1425.00
GO 380	DRAIN CLEANING MACHINE	3/8" X 65'	1120.00
GO 380A	DRAIN CLEANING MACHINE	3/8" X 90'	1140.00
GO 380A/250	COMBINATION DRAIN & SINK CLEANING MACHINE	3/8" X 90', 1/4" X 50'	1320.00
GO 380/250	COMBINATION DRAIN & SINK CLEANING MACHINE	3/8" X 65', 1/4" X 50'	1280.00
GO 250	SINK CLEANING MACHINE	1/4" X 50'	1090.00
GO 31	GORLITZ DRAIN CLEANER*	5/16" X 25'	580.00
GO 31 ERGO	PISTOL DRAIN CLEANER	5/16" X 25'	580.00
GO 15	"LITTLE ROOTER" SINK CLEANING MACHINE	1/4" X 35'	805.00
GO 15A	"LITTLE ROOTER" SINK CLEANING MACHINE	1/4" X 50'	815.00
GO 15 SE	"LITTLE ROOTER" SINK CLEANING MACHINE / BUILT IN FOOTSWITCH	1/4" X 35'	870.00

## HIGH PRESSURE WATER JETTERS

GO 4000	688cc GAS JETTER WITH ELECTRIC START - 9.0 GPM	3/8" X 300', 1/8" X 100'	9646.00
GO 3500	688cc GAS JETTER WITH ELECTRIC START - 5.5 GPM	3/8" X 300', 1/8" X 75'	8745.00
GO 3000	389cc GAS JETTER WITH ELECTRIC START - 4.5 GPM	3/8" X 200', 1/8" X 75'	5880.00
GO 3000A	389cc GAS JETTER WITH ELECTRIC START - 4.5 GPM	3/8" X 250', 1/8" X 75'	6000.00
GO 3000B	389cc GAS JETTER WITH ELECTRIC START - 4.5 GPM	3/8" X 300', 1/8" X 75'	6130.00
GO 1500	2 HP ELECTRIC JETTER - 2.1 GPM	1/4" X 100', 1/8" X 50'	3290.00
GO 1500WT	2 HP ELECTRIC JETTER WITH WATER TANK/AIR GAP - 2.1 GPM	1/4" X 100', 1/8" X 50'	3440.00
GO 1500A	2 HP ELECTRIC JETTER - 2.1 GPM	1/8" X 50'	2230.00
GO 1500B	2 HP ELECTRIC JETTER - 2.1 GPM	1/8" X 75'	2280.00
GO 1500A HR	2 HP ELECTRIC JETTER WITH HOSE REEL - 2.1 GPM	1/8" X 50'	2,430.00

STANDARD COMPONENTS THAT ARE OMITTED FROM MACHINES WILL ONLY RECEIVE A 30% CREDIT TOWARDS THE PURCHASE PRICE OF THE MACHINE

TO ORDER PLEASE CALL (562) 944-3060 OR VISIT OUR MANUFACTURING PLANT MONDAY THROUGH FRIDAY, 7:00 AM TO 3:30 PM  
FOR MORE INFORMATION ON OUR EQUIPMENT AND ACCESSORIES PLEASE WRITE OR CALL US FOR A FREE CATALOG



DUE TO A CONTINUING PROGRAM OF PRODUCT IMPROVEMENT, GORLITZ SEWER & DRAIN, INC. RESERVES THE RIGHT WITHOUT OBLIGATION TO REVISE PRICES, SPECIFICATIONS AND EQUIPMENT.



**Warning:** This product can expose you to chemicals including beryllium, chromium, crystalline, diethanolamine, lead, nickel, nickel compounds and silica which is (are) known to the State of California to cause cancer or birth defects or other reproductive harm. For more information visit [www.P65Warnings.ca.gov](http://www.P65Warnings.ca.gov).

**STANDARD CABLES-LEFT HAND**

PART #	SIZE	LBS	PRICE \$
C 01	1/4" X 35'	4	45.00
C 02	1/4" X 50'	6	57.00
C 03	9/32" X 35'	5	46.00
C 04	9/32" X 50'	7	58.00
C 05	3/8" X 65'	16	108.00
C 06	3/8" X 90'	22	142.00
C 07	13/32" X 75'	22	144.00
C 08	13/32" X 100'	29	186.00
C 09	1/2" X 80'	35	178.00
C 10	1/2" X 100'	44	215.00
C 11	5/8" X 75'	49	213.00
C 12	5/8" X 100'	65	279.00
C 13	11/16" X 50'	40	177.00
C 14	11/16" X 75'	60	253.00
C 15	11/16" X 100'	80	327.00
C 16	11/16" X 120'	95	383.00
C 17	11/16" X 150'	120	464.00
C 18	3/4" X 50'	50	200.00
C 19	3/4" X 100'	100	369.00
C 20	3/4" X 110'	110	400.00
C 21	3/4" X 150'	150	543.00

**STANDARD CABLES-LEFT HAND WITH DROPHEAD**

DHC 01	1/4" X 35'	4	66.00
DHC 02	1/4" X 50'	6	79.00
DHC 03	9/32" X 35'	5	69.00
DHC 04	9/32" X 50'	7	83.00
DHC 05	3/8" X 65'	16	135.00
DHC 06	3/8" X 90'	22	167.00
DHC 07	1/2" X 80'	36	200.00
DHC 08	1/2" X 100'	45	241.00

**STANDARD CABLES-LEFT HAND WITH BULBHEAD**

CB 01	1/4" X 35'	4	58.00
CB 02	1/4" X 50'	6	72.00
CB 03	9/32" X 35'	5	60.00
CB 04	9/32" X 50'	7	75.00
CB 05	3/8" X 65'	16	141.00
CB 06	3/8" X 90'	22	178.00
CB 07	13/32" X 75'	22	174.00
CB 08	13/32" X 100'	29	215.00

**STANDARD ANCHOR CABLES-LEFT HAND**

SAC 01	5/8" X 10'	7	55.00
SAC 02	11/16" X 10'	8	57.00
SAC 03	3/4" X 10'	10	59.00

**HANDGUN CABLES-RIGHT HAND**

GC 01	1/4" X 35'	4	52.00
GC 02	1/4" X 50'	6	66.00
GC 03	9/32" X 35'	5	54.00
GC 04	9/32" X 50'	7	66.00
GC 05	5/16" X 25'	4	49.00
GC 06	5/16" X 35'	6	58.00
GC 07	5/16" X 50'	9	80.00

**HANDGUN CABLES-RIGHT HAND WITH DROPHEAD**

GCD 01	1/4" X 35'	4	66.00
GCD 02	1/4" X 50'	6	79.00
GCD 03	9/32" X 35'	5	72.00
GCD 04	9/32" X 50'	7	82.00
GCD 05	5/16" X 25'	4	65.00
GCD 06	5/16" X 35'	6	78.00
GCD 07	5/16" X 50'	9	98.00

**INNERCORE CABLES-LEFT HAND**

PART #	SIZE	LBS	PRICE \$
IC 01	1/4" X 35'	5	61.00
IC 02	1/4" X 50'	7	78.00
IC 03	9/32" X 35'	6	63.00
IC 04	9/32" X 50'	8	81.00
IC 05	3/8" X 65'	20	154.00
IC 06	3/8" X 90'	27	197.00
IC 07	13/32" X 75'	26	202.00
IC 08	13/32" X 100'	37	259.00
IC 09	1/2" X 80'	40	227.00
IC 10	1/2" X 100'	51	278.00
IC 11	5/8" X 75'	58	316.00
IC 12	5/8" X 100'	77	398.00
IC 13	11/16" X 50'	47	254.00
IC 14	11/16" X 75'	71	380.00
IC 15	11/16" X 100'	94	461.00
IC 16	11/16" X 120'	114	545.00
IC 17	11/16" X 150'	141	652.00
IC 18	3/4" X 50'	56	282.00
IC 19	3/4" X 100'	112	518.00
IC 20	3/4" X 110'	124	560.00
IC 21	3/4" X 150'	177	768.00

**INNERCORE CABLES-LEFT HAND WITH DROPHEAD**

IDHC 01	1/4" X 35'	5	80.00
IDHC 02	1/4" X 50'	7	100.00
IDHC 03	9/32" X 35'	6	84.00
IDHC 04	9/32" X 50'	9	104.00
IDHC 05	3/8" X 65'	20	180.00
IDHC 06	3/8" X 90'	27	226.00
IDHC 07	1/2" X 80'	40	254.00
IDHC 08	1/2" X 100'	51	297.00

**INNERCORE CABLES-LEFT HAND WITH BULBHEAD**

ICB 01	1/4" X 35'	5	74.00
ICB 02	1/4" X 50'	7	91.00
ICB 03	9/32" X 35'	6	78.00
ICB 04	9/32" X 50'	8	95.00
ICB 05	3/8" X 65'	20	191.00
ICB 06	3/8" X 90'	27	237.00
ICB 07	13/32" X 75'	26	239.00
ICB 08	13/32" X 100'	37	291.00

**INNERCORE ANCHOR CABLES-LEFT HAND**

IAC 01	5/8" X 10'	8	68.00
IAC 02	11/16" X 10'	9	70.00
IAC 03	3/4" X 10'	11	72.00

**HANDGUN CABLES-RIGHT HAND WITH BULBHEAD**

GCB 01	1/4" X 35'	4	62.00
GCB 02	1/4" X 50'	6	77.00
GCB 03	9/32" X 35'	5	64.00
GCB 04	9/32" X 50'	7	81.00
GCB 05	5/16" X 25'	4	59.00
GCB 06	5/16" X 35'	6	75.00
GCB 07	5/16" X 50'	9	93.00

**INNERCORE HANDGUN CABLES-RIGHT HAND**

IGC 01	1/4" X 35'	4	64.00
IGC 02	1/4" X 50'	6	84.00
IGC 03	9/32" X 35'	5	66.00
IGC 04	9/32" X 50'	7	84.00
IGC 05	5/16" X 25'	4	55.00
IGC 06	5/16" X 35'	6	70.00
IGC 07	5/16" X 50'	9	96.00

Minimum Labor Rate - 30 Minutes  
Regular Labor Rate - Hourly

50.00  
100.00

Ends, Connectors & Splices Installed (Labor Only)  
Replace Cable In Drums Or Reels (Labor Only)

25.00  
50.00



**Warning:** This product can expose you to chemicals including beryllium, chromium, crystalline, diethanolamine, lead, nickel, nickel compounds and silica which is (are) known to the State of California to cause cancer or birth defects or other reproductive harm. For more information visit [www.P65Warnings.ca.gov](http://www.P65Warnings.ca.gov).

**STANDARD CONNECTORS**

PART #	DESCRIPTION	SIZE	PRICE \$
E 01	CABLE END	3/8", 13/32"	8.50
E 03	CABLE END	1/2"	8.50
E 04	CABLE END	11/16"	10.50
E 04A	CABLE END	5/8"	10.50
E 04B	CABLE END	3/4"	10.50
E 05	CABLE CONNECTOR	5/8"	10.50
E 06	CABLE CONNECTOR	11/16"	10.50
E 07	CABLE CONNECTOR	3/4"	10.50
E 08	REGULAR CHUCK		10.50
E 08 RR	REGULAR HEX CHUCK		10.50
E 09	CONE CHUCK*	2-BLADE	37.00
E 09A	CONE CHUCK*	3-BLADE	37.00
E 10	FINGER LEADER, LARGE	11/16"	39.00
E 10A	FINGER LEADER, SMALL	3/8"	20.00
E 11	CHUCK REPL. SCREW (F515)*	10-24	1.00
E 12	ALLEN WRENCH*	5/32"	3.25
E 12A	T-HANDLE ALLEN WRENCH*	5/32"	9.50

PART #	DESCRIPTION	SIZE	PRICE \$
E 13	ALLEN WRENCH*	1/8"	3.25
E 13A	T-HANDLE ALLEN WRENCH*	1/8"	9.50
E 14	ALLEN WRENCH*	3/32"	3.25
E 14A	T-HANDLE ALLEN WRENCH*	3/32"	9.50
E 15	FEMALE COUPLER	11/16"	9.50
E 16	STANDARD INSTAL. HANDLE		29.75
E 17	FLEXIBLE LEADER	5/8" X 2'	54.00
E 18	FLEXIBLE LEADER	11/16" X 2'	56.00
E 19	FLEXIBLE LEADER	3/4" X 2'	58.00
E 20	CHUCK & BLADE ASSEMBLY*	3/4" WIDE	23.50
E 21	CHUCK & BLADE ASSEMBLY*	1" WIDE	28.50
E 22	SPEAR-HEAD ASSEMBLY		23.50
E 23	EXPANDING CUTTER ASSEMBLY	3/4" WIDE	124.00
E 24	DOUBLE FEMALE CONNECTOR	1/4"	8.50
E 25	DOUBLE FEMALE CONNECTOR	3/8"	8.50
E 30	FEMALE COUPLER 10-32	3/8"	9.50
E 31	FEMALE COUPLER 10-32	1/2"	9.50

**SPLIT PIN CONNECTORS**

E 50	CABLE END	5/8"	10.50
E 51	CABLE END	11/16"	10.50
E 52	CABLE END	3/4"	10.50
E 53	FEMALE CONNECTOR	5/8"	10.50
E 54	FEMALE CONNECTOR	11/16"	10.50
E 55	FEMALE CONNECTOR	3/4"	10.50
E 56	MALE CONNECTOR	5/8"	10.50
E 57	MALE CONNECTOR	11/16"	10.50
E 58	MALE CONNECTOR	3/4"	10.50
E 59	CHUCK HOLDER		10.50
E 60	SMALL BLADE HOLDER*	3/4"	14.75
E 61	MEDIUM BLADE HOLDER*	3/4"	19.00
E 62	LARGE BLADE HOLDER*	1"	21.00
E 63	CONE CHUCK*	3-BLADE	36.75
E 64	FLEXIBLE LEADER	5/8" X 2'	54.00

E 65	FLEXIBLE LEADER	3/4" X 2'	58.00
E 66	SPLIT PIN (F605)*	1/4" X 5/8"	1.00
E 66A	SPLIT PIN (F606)*	3/16" x 5/8"	1.00
E 67	SPLIT PIN (F610)*	1/4" X 3/4"	1.00
E 68	SPLIT PIN INSTAL. HANDLE	1/4"	12.60
E 68A	SPLIT PIN INSTAL. HANDLE	3/16"	12.60
E 69	MALE SPEAR-HEAD ASSEMBLY		23.00
E 70	MALE COMB. RETRIEVER	5/8" THRU 3/4"	31.50
E 71	MALE HOOK RETRIEVER	5/8"	30.50
E 72	MALE HOOK RETRIEVER	11/16"	30.50
E 73	MALE HOOK RETRIEVER	3/4"	30.50
E 74	MALE/FEMALE CONNECTOR	3/4"	10.50
E 75	FINGER LEADER		39.00
E 76	EXPANDING CUTTER ASSEMBLY	3/4" WIDE	124.00
E 80	MALE/FEMALE COUPLER		10.50

**SPLICES & RETRIEVERS**

S 01	SPLICE	3/8", 13/32"	7.50
S 03	SPLICE	1/2"	7.50
S 04	SPLICE	5/8"	7.50
S 05	SPLICE	11/16"	7.50
S 06	SPLICE	3/4"	7.50
S 07	HEX SPLICE	5/8"	9.75
S 08	HEX SPLICE	11/16"	9.75

S 09	HEX SPLICE	3/4"	9.75
S 10	COMBINATION RETRIEVER	3/8" THRU 1/2"	30.00
S 11	COMBINATION RETRIEVER	5/8" THRU 3/4"	32.00
S 12	HOOK RETRIEVER	5/8"	31.00
S 13	HOOK RETRIEVER	11/16"	31.00
S 14	HOOK RETRIEVER	3/4"	31.00

**KNIVES & BLADES**

K 01	HALF CIRCLE PLAIN	1/2" X 1 1/2"	7.50
K 02	HALF CIRCLE PLAIN	1/2" X 2"	7.50
K 03	FULL CIRCLE PLAIN	1/2" X 1 1/2"	7.50
K 03A	FULL CIRCLE PLAIN-THIN	1/2" X 1 1/2"	7.50
K 04	FULL CIRCLE PLAIN	1/2" X 2"	7.50
K 05	PEAR SHAPE PLAIN	1/2" X 3"	7.50
K 05A	PEAR SHAPE PLAIN	1/2" X 4"	7.50
K 06	HALF CIRCLE COINED	3/4" X 2"	8.60
K 07	FULL CIRCLE COINED	3/4" X 2"	8.60
K 08	PEAR SHAPE COINED	3/4" X 3"	8.60
K 08A	PEAR SHAPE PLAIN	3/4" X 4"	8.60
K 09	U-SHAPE COINED	3/4" X 4"	8.60
K 10	FULL CIRCLE TEETH	3/4" X 2 1/2"	8.60
K 11	FULL CIRCLE TEETH	3/4" X 3"	8.60
K 12	U-SHAPE TEETH	3/4" X 4"	8.60
K 13	PEAR SHAPE TEETH	3/4" X 2"	8.60
K 14	PEAR SHAPE TEETH	3/4" X 3"	8.60
K 14A	PEAR SHAPE TEETH	3/4" X 4"	8.60

K 15	PEAR SHAPE TEETH SQUARE	1" X 3"	11.00
K 16	PEAR SHAPE TEETH SQUARE	1" X 4"	11.00
K 16A	PEAR SHAPE OFFSET PLAIN	1" X 4"	11.00
K 17	GREASE BLADE SQUARE	1" X 3"	20.00
K 18	GREASE BLADE SQUARE	1" X 4"	20.00
K 19	SINGLE KNIFE TEETH	3/4" X 4"	8.60
K 20	SINGLE KNIFE TEETH	3/4" X 6"	8.60
K 21	SINGLE KNIFE COINED	3/4" X 4"	8.60
K 22	SINGLE KNIFE COINED	3/4" X 6"	8.60
K 24	SINGLE KNIFE TEETH SPT	3/4" X 4"	8.60
K 25	SINGLE KNIFE TEETH SPT	3/4" X 6"	8.60
K 26	PEAR SHAPE TEETH ROUND	1" X 3"	11.00
K 27	PEAR SHAPE TEETH ROUND	1" X 4"	11.00
K 28	GREASE BLADE ROUND	1" X 3"	20.00
K 29	GREASE BLADE ROUND	1" X 4"	20.00
K 30	SPEAR-HEAD BLADE	2" X 2"	11.00
K 31	SINGLE KNIFE EXPANDABLE	4" - 6"	11.00
K 32	SINGLE KNIFE EXPANDABLE	6" - 8"	11.00

**DROPHEAD & BULBHEAD ATTACHMENTS**

DHP 01	PERMANENT DROPHEAD	1/4"	13.75
DHP 02	PERMANENT DROPHEAD	9/32"	13.75
DHP 03	PERMANENT DROPHEAD	5/16"	13.75
DHP 04	PERMANENT DROPHEAD	3/8"	16.00
DHP 05	PERMANENT DROPHEAD	1/2"	19.00
BHR 01	REPAIR BULB	13/32"	16.00

BHR 02	PLUG #6	13/32"	18.00
BHR 03	PLUG #8	13/32"	18.00
DHR 04	REPLACEABLE DROPHEAD	3/8"	19.00
DHR 05	REPLACEABLE DROPHEAD	1/2"	21.00
DHR 06	REPLACEABLE DROPHEAD	11/16"	46.00
DHR 07	REPLACEABLE DROPHEAD	3/4" SPT	46.00



**Warning:** This product can expose you to chemicals including beryllium, chromium, crystalline, diethanolamine, lead, nickel, nickel compounds and silica which is (are) known to the State of California to cause cancer or birth defects or other reproductive harm. For more information visit [www.P65Warnings.ca.gov](http://www.P65Warnings.ca.gov).

### ROOTER TOOLS & ACCESSORIES

PART #	DESCRIPTION	PRICE \$
T 01	POWER CABLE FEEDER	520.00
T 01A	MINI POWER CABLE FEEDER	485.00
T 02	CABLE FEEDER MOUNTING BRACKET	56.00
T 02A	MINI CABLE FEEDER MOUNTING BRACKET	49.00
T 04	LOADING RAMP GO 68 SERIES	514.00
T 04 FD	LOADING RAMP FOLD DOWN LEG-68 SERIES	156.00
T 04A	LOADING RAMP GO 62 SERIES	514.00
T 04A FD	LOADING RAMP FOLD DOWN LEG-62 SERIES	156.00
T 05	ELECTRIC WINCH*	376.00
T 05C	R/C TOGGLE SWITCH*	31.00
T 05D	R/C TOGGLE SWITCH ASSEMBLY*	71.00
T 05E	WINCH FUSE*	36.75
T 06	AIR FOOT SWITCH ASSEMBLY*	93.00
T 0601	AIR FOOT SWITCH PEDAL *	37.00
T 0602	SWITCH, PLASTIC - AIR ACTUATED*	65.00
T 07B	AQUILINE ELECTRIC FOOTSWITCH*	101.00
T 08	GORLITZ 3' AUGER WITH DOWNHEAD	50.00
T 09	GORLITZ 3' AUGER REFILL	31.00
T 10	GENERAL 3' AUGER WITH DOWNHEAD*	64.00
T 10B	GENERAL 3' AUGER WITH BULBHEAD*	55.00
T 11	GENERAL 6' AUGER WITH DOWNHEAD*	109.00
T 11A	GENERAL 6' REFILL WITH DOWNHEAD*	73.00
T 11B	GENERAL 6' AUGER WITH BULBHEAD*	91.00
T 11C	GENERAL 6' REFILL WITH BULBHEAD*	55.00
T 12	EXTRA HEAVY DUTY PLUNGER*	20.00
T 13	HYDRO-THRUST PLUNGER*	20.00
T 14	40" TILE PROBE	43.00
T 15	48" TILE PROBE	43.00
T 15B	48" WATER TILE PROBE*	90.00
T 15C	60" WATER TILE PROBE*	99.00

PART #	DESCRIPTION	PRICE \$
T 16	DOUBLE PALM LEATHER GLOVES*	10.50
T 17	PVC "UGLIER" GLOVES, REGULAR*	10.50
T 17A	PVC "UGLIER" GLOVES, LONG*	11.50
T 20	1 1/2" PRESSURE BAG*	56.00
T 21	2" PRESSURE BAG*	64.00
T 22	3" PRESSURE BAG*	98.00
T 23	4" PRESSURE BAG*	107.00
T 24	6" PRESSURE BAG*	146.00
T 25	VENT ROLLER*	80.00
T 26	BOLT CUTTER 24**	56.00
T 26A	BOLT CUTTER 30**	65.00
T 27	CENTER PUNCH*	24.00
T 28	CANVAS SPLASH GUARD*	86.00
T 28A	REEL COVER FOR 3/8" REEL*	55.00
T 28B	REEL COVER FOR 1/2" REEL*	55.00
T 28C	REEL COVER FOR 5/8" REEL*	63.00
T 28D	REEL COVER FOR 11/16" REEL*	63.00
T 28E	REEL COVER 1/2 (125" REEL)*	56.00
T 28S	CANVAS SPLASH GUARD-SMALL*	86.00
T 29	TOOL BOX*	38.00
T 30	RAMP ROLLER*	41.00
T 32	MACHINE DOLLY, GO 250/380	150.00
T 40	BASIN NUT WRENCH	37.00
T 63A	SOCKET FUSION KIT - IMPORT	625.00
T 64	METER KEY 2" X 5/8" GROOVE	40.00
T 64HD	METER KEY 2" X 5/8" GROOVE, HEAVY DUTY	50.00
T 70	1/2" MAN HOLE COVER HOOK	30.00
MB 4046	MINI GREASE GUN*	30.50
MB 4046-A	GREASE GUN CARTRIDGE*	9.50
HOIST 2	1000# HOIST WITH MANUAL CRANK, 40" TALL	400.00

### ACCESSORY KITS

PART #	DESCRIPTION	PRICE \$
KIT GO 1500	ACCESSORY KIT, GO 1500 & GO 2000	260.00
KIT GO 1500A	ACCESSORY KIT, GO 1500A	137.00
KIT GO 3000	ACCESSORY KIT, GO 3000	415.00
KIT GO 3500	ACCESSORY KIT, GO 3500	415.00
KIT GO 4000	ACCESSORY KIT, GO 4000	944.00
KIT GO 15	ACCESSORY KIT, GO 15	12.00
KIT GO 250	ACCESSORY KIT, GO 250	19.00

PART #	DESCRIPTION	PRICE \$
KIT GO 380	ACCESSORY KIT, GO 380/250	80.00
KIT GO 50	ACCESSORY KIT, GO 50 & GO 50S	65.00
KIT GO 50A	ACCESSORY KIT, GO 50A & GO 50B	65.00
KIT GO 62	ACCESSORY KIT, GO 62 & GO 62HD	360.00
KIT GO 62A	ACCESSORY KIT, GO 62A & GO 62A HD	263.00
KIT GO 68	ACCESSORY KIT, GO 68 & GO 68HD	362.00

### TRENCHLESS PIPE REPLACEMENT ACCESSORIES

PART #	DESCRIPTION	PRICE EA\$
6070	5/8" X 75' CABLE*	1535.00
6071	5/8" X 150' CABLE*	2350.00
6158	CHAIN COUPLER*	220.00
6160	DEMOLITION HEAD, 6**	1735.00
6161	DEMOLITION HEAD, 4**	1735.00
6162	DEMOLITION HEAD, 3**	1420.00
6192	5/8" x 50' CHAIN*	950.00
6193	5/8" x 75' CHAIN*	1400.00
6200	CLAMP FIXTURE*	4200.00
6240	4" TUBE INSERT-BOTTOM (For facing & fusing 4" HDPE - Quantity needed: 4 pcs)*	150.00
6241	4" REAR SUPPORT INSERT (For facing & fusing 4" HDPE - Quantity needed: 1 pcs)*	150.00
6242	3" TUBE INSERT-BOTTOM (For facing & fusing 3" HDPE - Quantity needed: 4 pcs)*	150.00
6243	3" REAR SUPPORT INSERT (For facing & fusing 3" HDPE - Quantity needed: 1 pcs)*	150.00
6244	2" TUBE INSERT-BOTTOM (For facing & fusing 2" HDPE - Quantity needed: 4 pcs)*	150.00
6245	2" REAR SUPPORT INSERT (For facing & fusing 2" HDPE - Quantity needed: 1 pcs)*	150.00
6300	HEATING IRON*	1450.00
6400	FACING TOOL*	1600.00
6407	REPLACEMENT BLADE FOR FACING TOOL (Quantity needed: 2 pcs)*	150.00



**Warning:** This product can expose you to chemicals including beryllium, chromium, crystalline, diethanolamine, lead, nickel, nickel compounds and silica which is (are) known to the State of California to cause cancer or birth defects or other reproductive harm. For more information visit [www.P65Warnings.ca.gov](http://www.P65Warnings.ca.gov).

## RIDGID SEESNAKE CAMERA & MONITOR SYSTEMS

PART #	DESCRIPTION	LBS	PRICE \$
<b>RIDGID COLOR SEESNAKE REELS</b>			
R 14053	200' (61m) - COLOR SEESNAKE PLUS REEL*	Monitor Not Included	57 7940.00
R 14058	325' (99m) - COLOR SEESNAKE PLUS REEL*	Monitor Not Included	66 8883.00
<b>RIDGID COLOR SELF LEVELING SEESNAKE REELS</b>			
R 13988	200' (61m) - COLOR SEESNAKE REEL*	Monitor Not Included	56 8717.00
R 13998	325' (99m) - COLOR SEESNAKE REEL*	Monitor Not Included	66 9663.00
<b>RIDGID COLOR MINI SEESNAKE REEL</b>			
R 14063	200' (61m) - MINI COLOR SEESNAKE PLUS REEL*	Monitor Not Included	29 6647.00
<b>RIDGID COLOR COMPACT2 SEESNAKE REELS</b>			
R 48113	100' SEESNAKE COMPACT2 SYSTEM (Includes 1 Battery and 1 Charger)*	Monitor Not Included	21 8328.00
R 48103	100' SEESNAKE COMPACT2 SYSTEM (Battery & AC Adapter NOT Included)*	Monitor Not Included	17 8188.00
R 48093	100' SEESNAKE COMPACT2 SYSTEM (Reel Only)*		25 5764.00
<b>RIDGID microREEL INSPECTION CAMERA SYSTEM</b>			
R 40808	100' microREEL L100C/micro CA-300 SYSTEM (Includes Sonde & Counter)*		12 4946.92
R 40788	65' microDRAIN D65S/micro CA-300 SYSTEM (Includes Sonde)*		12 4012.00
<b>RIDGID MONITORING AND RECORDING SELECTION</b>			
R 57288	CS12X MONITOR w/ 2 BATTERIES & CHARGER*		16 5375.00
<b>RIDGID PIPE LOCATION EQUIPMENT</b>			
R 22388	NAVITRACK II CARRYING CASE*		5 174.00
R 19238	NAVITRACK SCOUT*		12 1758.00
R 20248	NAVITRACK SCOUT CARRYING CASE*		8 120.00
R 15323	SEESNAKE INLINE TRANSMITTER*		1 809.00
R 15828	MINI SEESNAKE INLINE TRANSMITTER*		1 809.00
R 16728	REMOTE TRANSMITTER - BATTERY POWERED*		1 366.00
<b>RIDGID SEESNAKE ACCESSORIES</b>			
R 67307	INTERCONNECT CORD - 10' (3m)*		1 106.00
R 64627	INTERCONNECT CORD - 33' (11m)*		2 144.00
R 64607	200' (61m) PUSH CABLE ASSEMBLY*		30 3146.00
R 64612	325' (99m) PUSH CABLE ASSEMBLY*		41 4156.00
R 67327	200' (61m) - 5/16" MINI PUSH CABLE ASSEMBLY*		17 2768.00
R 31753	SEESNAKE COUNTIR*		2 689.00
R 64497	3" CENTERING GUIDE*		1 5.50
R 64502	6" CENTERING GUIDE*		1 11.00
R 67312	4" MINI CENTERING GUIDE*		1 5.50
R 97852	STANDARD SPRING CLIP BALL GUIDES* (PACKAGE OF 10)		2 123.00
R 97462	MINI FP BALL GUIDES* (PACKAGE OF 6)		1 111.00



R 40788 microDrain



R 14063 Mini Seesnake



R 57288 CS12X Monitor



R 19238 Navitrack Scout



**Warning:** This product can expose you to chemicals including beryllium, chromium, crystalline, diethanolamine, lead, nickel, nickel compounds and silica which is (are) known to the State of California to cause cancer or birth defects or other reproductive harm. For more information visit [www.P65Warnings.ca.gov](http://www.P65Warnings.ca.gov).

**JETTER HOSES**

PART #	DESCRIPTION	SIZE	PRICE \$
JH 01	TRAP HOSE	1/8" X 25'	81.00
JH 02	TRAP HOSE	1/8" X 35'	103.00
JH 03	TRAP HOSE	1/8" X 50'	137.00
JH 04	TRAP HOSE	1/8" X 75'	195.00
JH 05	TRAP HOSE	1/8" X 100'	253.00
JH 06	JETTER HOSE - SMALL	1/4" X 50'	263.00
JH 07	JETTER HOSE - SMALL	1/4" X 75'	226.00
JH 08	JETTER HOSE - SMALL	1/4" X 100'	300.00
JH 09	JETTER HOSE - SMALL	1/4" X 150'	454.00

PART #	DESCRIPTION	SIZE	PRICE \$
JH 10	JETTER HOSE - SMALL	1/4" X 200'	606.00
JH 11	JETTER HOSE - MEDIUM	3/8" X 100'	355.00
JH 12	JETTER HOSE - MEDIUM	3/8" X 150'	533.00
JH 13	JETTER HOSE - MEDIUM	3/8" X 200'	706.00
JH 14	JETTER HOSE - MEDIUM	3/8" X 250'	882.00
JH 15	JETTER HOSE - MEDIUM	3/8" X 300'	1062.00
JH 16	JETTER HOSE - LARGE	1/2" X 300'	1278.00
JH 17	JETTER HOSE - LARGE	1/2" X 400'	1680.00
JH 18	JETTER HOSE - LARGE	1/2" X 500'	2085.00

**JETTER NOZZLES (BRASS)**

JN 01B	THRUST HEAD NOZZLE (3)	1/8" (2-3)	32.00
JN 03B	THRUST HEAD NOZZLE (6)	1/8" (2-3)	38.00
JN 04B	LASER HEAD NOZZLE (3/1)	1/8" (2-3)	32.00
JN 06B	LASER HEAD NOZZLE (6/1)	1/8" (2-3)	38.00
JN 07B	CORNER HEAD NOZZLE (2/1)	1/8" (2-3)	32.00
JN 08B	DROPHEAD NOZZLE (3)	1/8" (2-3)	53.00
JN 09B	DROPHEAD NOZZLE (6)	1/8" (2-3)	57.00
JB 01	BALL HEAD NOZZLE (3)	1/8" (2-3)	38.00
JB 03	BALL HEAD NOZZLE (6)	1/8" (2-3)	43.00

JN 11B	THRUST HEAD NOZZLE (3)	1/4" (2-4)	32.00
JN 13B	THRUST HEAD NOZZLE (6)	1/4" (2-4)	39.00
JN 14B	LASER HEAD NOZZLE (3/1)	1/4" (2-4)	32.00
JN 16B	LASER HEAD NOZZLE (6/1)	1/4" (2-4)	38.00
JN 17B	CORNER HEAD NOZZLE (2/1)	1/4" (2-4)	32.00
JN 18B	DROPHEAD NOZZLE (3)	1/4" (2-4)	53.00
JN 19B	DROPHEAD NOZZLE (6)	1/4" (2-4)	57.00
JB 04	BALL HEAD NOZZLE (3/1)	1/8" (2-3)	39.00
JB 06	BALL HEAD NOZZLE (6/1)	1/8" (2-3)	44.00

**JETTER NOZZLES (STAINLESS STEEL)**

JN 01	THRUST HEAD NOZZLE (3)	1/8" (2-3)	50.00
JN 03	THRUST HEAD NOZZLE (6)	1/8" (2-3)	55.00
JN 04	LASER HEAD NOZZLE (3/1)	1/8" (2-3)	50.00
JN 06	LASER HEAD NOZZLE (6/1)	1/8" (2-3)	55.00
JN 07	CORNER HEAD NOZZLE (2/1)	1/8" (2-3)	50.00
JN 08	DROPHEAD NOZZLE (3)	1/8" (2-3)	67.00
JN 09	DROPHEAD NOZZLE (6)	1/8" (2-3)	73.00
JN 10	ROTATING HEAD NOZZLE (3)	1/8" (2-3)	193.00
JN 10A	ROTATING HEAD NOZZLE (3/1)	1/8" (2-3)	193.00
JN 11	THRUST HEAD NOZZLE (3)	1/4" (2-4)	50.00
JN 13	THRUST HEAD NOZZLE (6)	1/4" (2-4)	55.00
JN 14	LASER HEAD NOZZLE (3/1)	1/4" (2-4)	50.00
JN 16	LASER HEAD NOZZLE (6/1)	1/4" (2-4)	55.00
JN 17	CORNER HEAD NOZZLE (2/1)	1/4" (2-4)	50.00
JN 18	DROPHEAD NOZZLE (3)	1/4" (2-4)	67.00
JN 19	DROPHEAD NOZZLE (6)	1/4" (2-4)	73.00
JN 20	ROTATING HEAD NOZZLE (3)	1/4" (2-4)	243.00
JN 20A	ROTATING HEAD NOZZLE (3/1)	1/4" (2-4)	243.00
JN 21	THRUST HEAD NOZZLE (3)	3/8" (4-6)	63.00

JN 22	THRUST HEAD NOZZLE (4)	3/8" (4-6)	65.00
JN 23	THRUST HEAD NOZZLE (6)	3/8" (4-6)	72.00
JN 24	LASER HEAD NOZZLE (3/1)	3/8" (4-6)	65.00
JN 25	LASER HEAD NOZZLE (4/1)	3/8" (4-6)	68.00
JN 26	LASER HEAD NOZZLE (6/1)	3/8" (4-6)	80.00
JN 29	FLEX CORNER NOZZLE (4)	3/8" (4-6)	100.00
JN 29A	FLEX LEADER REPLACEMENT		32.00
JN 30	ROTATING HEAD NOZZLE (4)	3/8" (4-6)	295.00
JN 30A	ROTATING HEAD NOZZLE (4/1)	3/8" (4-6)	295.00
JN 30 FL	ROTATING FLEX LEADER NOZZLE	3/8" (4-6)	327.00
JN 32	THRUST HEAD NOZZLE (4)	1/2" (8-10)	76.00
JN 33	THRUST HEAD NOZZLE (6)	1/2" (8-10)	83.00
JN 35	LASER HEAD NOZZLE (4/1)	1/2" (8-10)	83.00
JN 36	LASER HEAD NOZZLE (6/1)	1/2" (8-10)	87.00
JN 39	FLEX CORNER NOZZLE (4)	1/2" (8-10)	118.00
JN 39A	FLEX LEADER REPLACEMENT		32.00
JN 40	ROTATING HEAD NOZZLE (4)	1/2" (8-10)	496.00
JN 40A	ROTATING HEAD NOZZLE (4/1)	1/2" (8-10)	496.00
JN FL	FLEX LEADER REPLACEMENT	1/2" (8-10)	32.00

**WARTHOG**

WH 4000	WARTHOG - FOR MODEL GO 4000	3/8" (8-9)	1,105.00
---------	-----------------------------	------------	----------

WT 600	WARTHOG REPAIR KIT *		158.00
--------	----------------------	--	--------


**JETTER TOOLS & ACCESSORIES**

JT 103	ADJUSTABLE TRIGGER GUN*	3000 PSI	100.00
JT 103A	ADJUSTALBE SPRAY TIP*	4.5 GPM MAX	41.00
JT 104	TURBO LASER NOZZLE*	4.8 GPM MAX	262.00
JT 105	PVC GLOVES*		10.50
JT 106	NOZZLE CLEANING KIT*		12.00

JT 107	GARDEN HOSE VALVE*	3/4"	13.75
JT 109	HOSE CADDY	WITHOUT HOSES	377.00
JT 110	HOSE DOLLY	WITHOUT HOSES	650.00
JT 114	SAFETY GOGGLES*	PLASTIC	8.50

PART #	DESCRIPTION	COST	QTY

PART #	DESCRIPTION	COST	QTY

 **Warning:** This product can expose you to chemicals including beryllium, chromium, crystalline, diethanolamine, lead, nickel, nickel compounds and silica which is (are) known to the State of California to cause cancer or birth defects or other reproductive harm. For more information visit [www.P65Warnings.ca.gov](http://www.P65Warnings.ca.gov).



# GORLITZ SEWER & DRAIN INC.

PL 2023  
REV 1

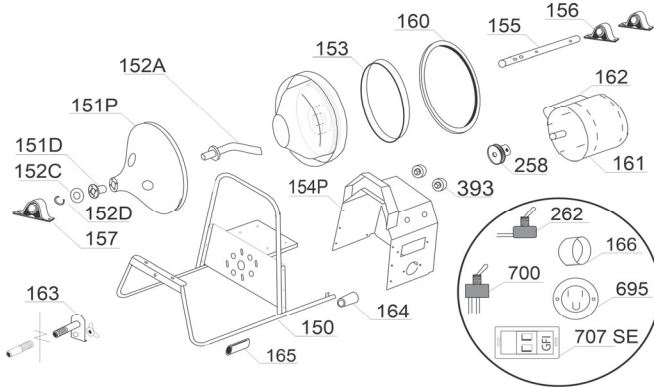
10132 NORWALK BLVD.  
SANTA FE SPRINGS, CA. 90670  
TEL (562) 944-3060  
FAX (562) 944-7630

Email: sales@gorlitz.com  
Internet: http://www.gorlitz.com

4-Nov-23

## MACHINE PARTS PRICE LIST

### GO 15 PARTS

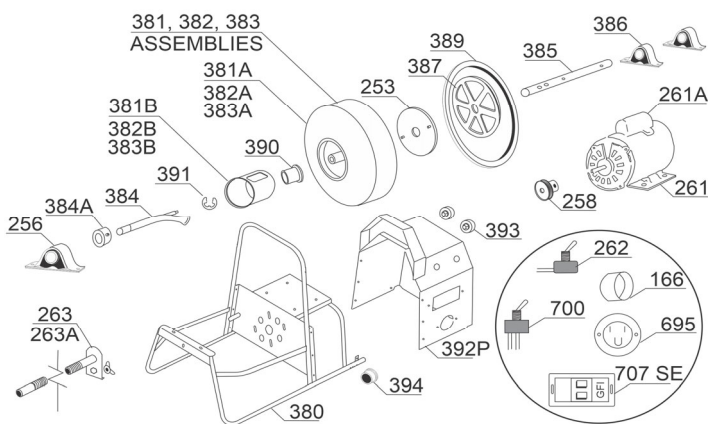


2023.11

PART #	DESCRIPTION	REQ	\$ EA
150	FRAME	1	233.00
151P	POLY DRUM - Red - Blue - Black	1	130.00
151D	BRASS DRUM BUSHING	1	21.00
152A	DRIVE ARM	1	40.00

PART #	DESCRIPTION	REQ	\$ EA
152C	THRUST WASHER*	1	4.25
152D	RETAINING RING*	1	3.15
153	DRUM RUBBER SLEEVE*	1	12.00
154P	COVER HOUSING*	1	65.00
155	DRIVE SHAFT	1	18.00
156	PILLOW BLOCK 1/2"*	2	30.00
157	PILLOW BLOCK 5/8"* - Ref #386	1	30.00
159	SHAFT PULLEY*	1	25.00
160	BELT*	1	12.00
161	MOTOR*	1	300.00
162	MOTOR CAPACITOR*	1	41.00
163	ELEPHANT TRUNK	1	50.00
164	RUBBER CUP*	2	4.25
165	RUBBER SLEEVE*	2	3.50
166	ELECTRIC PLUG SLEEVE*	1	5.50
258	MOTOR PULLEY*	1	20.00
262	TOGGLE SWITCH*	1	14.00
393	RUBBER BUMPER*	2	2.25
695	ELECTRIC PLUG*	1	20.00
700	FOR/REV SWITCH*	1	22.00
707 SE	GFI*	1	45.00

### GO 380/250 PARTS



2023.11

380	FRAME	1	321.00
381	DRUM ASSEMBLY (3/8" X 90' MAX)	1	115.00
381A	DRUM (3/8" X 65' MAX)	1	80.00
381B	INNER HUB	1	25.00
382	DRUM ASSEMBLY (1/4" X 50' MAX)	1	115.00
382A	DRUM (1/4" X 50' MAX)	1	80.00
382B	INNER HUB	1	25.00

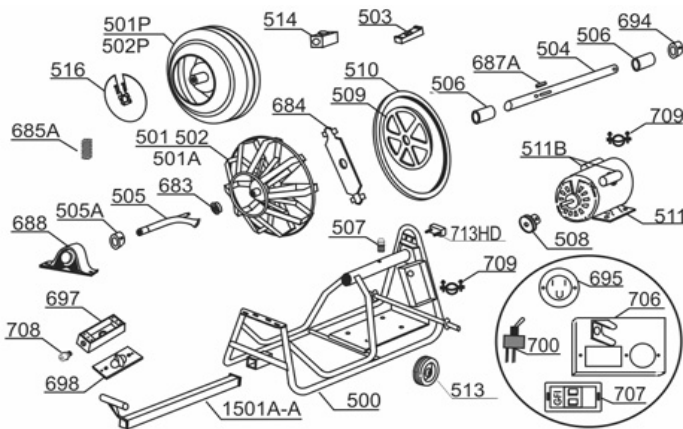
383	DRUM ASSEMBLY (3/8" X 90' MAX)	1	120.00
383A	DRUM (3/8" X 90' MAX)	1	83.00
383B	INNER HUB	1	25.00
384	DRIVE ARM	1	45.00
384A	DRIVE ARM COLLAR*	1	7.50
385	DRIVE SHAFT	1	23.00
386	PILLOW BLOCK 5/8"*	2	30.00
387	SHAFT PULLEY*	1	35.00
389	BELT*	1	13.00
390	BUSHING*	1	15.00
391	RETAINING RING*	1	5.25
392P	COVER HOUSING*	1	103.00
393	RUBBER BUMPER*	4	2.25
394	PLUG*	2	3.00
166	ELECTRIC PLUG SLEEVE*	1	5.50
253	DRIVE PLATE	1	30.00
256	PILLOW BLOCK 7/8"*	1	30.00
258	MOTOR PULLEY*	1	20.00
261	MOTOR*	1	376.00
261A	MOTOR CAPACITOR*	1	41.00
262	TOGGLE SWITCH*	1	14.00
263	ELEPHANT TRUNK (SM 1/4")	1	50.00
263A	ELEPHANT TRUNK (LG 3/8")	1	65.00
695	ELECTRIC PLUG*	1	20.00
700	FOR/REV SWITCH*	1	22.00
707 SE	GFI*	1	45.00

TO ORDER PLEASE CALL (562) 944-3060 OR VISIT OUR MANUFACTURING PLANT MONDAY THROUGH FRIDAY, 7:00 AM TO 3:30 PM  
FOR MORE INFORMATION ON OUR EQUIPMENT AND ACCESSORIES PLEASE WRITE OR CALL US FOR A FREE CATALOG



**Warning:** This product can expose you to chemicals including beryllium, chromium, crystalline, diethanolamine, lead, nickel, nickel compounds and silica which is (are) known to the State of California to cause cancer or birth defects or other reproductive harm. For more information visit [www.P65Warnings.ca.gov](http://www.P65Warnings.ca.gov).

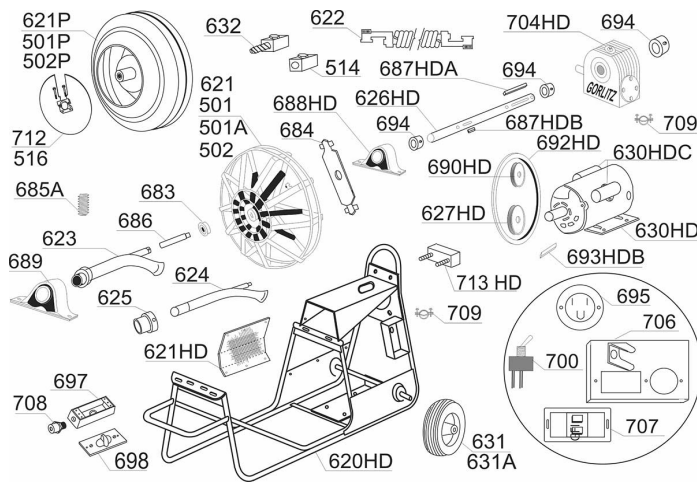
**GO 50 PARTS**



PART #	DESCRIPTION	REQ	\$ EA
500	FRAME	1	422.00
501	REEL (1/2" X 100' MAX)	1	142.00
501A	REEL (1/2" X 125' MAX)	1	179.00
501P	POLY DRUM (1/2" X 100' MAX)	1	174.00
502	REEL (3/8" X 90' MAX)	1	157.00
502P	POLY DRUM (3/8" X 90' MAX)	1	168.00
503	REEL CABLE CONNECTOR	1	9.50
504	DRIVE SHAFT	1	50.00
505	DRIVE ARM	1	47.00
505A	DRIVE ARM COLLAR*	1	7.50

PART #	DESCRIPTION	REQ	\$ EA
506	SHAFT BUSHING*	2	17.00
507	ZERK FITTING*	1	3.25
508	MOTOR PULLEY* - Ref #258	1	20.00
509	SHAFT PULLEY*	1	40.00
510	BELT*	1	13.00
511	MOTOR*	1	411.00
511B	CAPACITORS*, SET OF 2	1	102.00
512	PHENOLIC 4" WHEEL*	2	20.00
513	PNEUMATIC 6" WHEEL*	2	22.00
514	DRUM CONNECTOR 3/8" THRU 1/2"	1	10.00
516	REEL & DRUM SAFETY DISK	1	40.00
683	REEL CENTER BEARING*	1	15.00
684	DRIVE PLATE	1	35.00
685A	DRIVE ARM SET SCREW*	1	0.75
687A	SHAFT KEY	1	5.50
688	PILLOW BLOCK 1**	1	32.00
694	SHAFT COLLAR*	2	9.00
695	ELECTRIC PLUG*	1	20.00
697	SWITCH BOX*	1	15.00
698	COVER PLATE*	1	15.00
700	FOR/REV SWITCH*	1	22.00
706	GFI COVER PLATE	1	30.00
707	GFI*	1	101.00
708	COMPRESSION FITTING*	1	13.00
709	CORD CONNECTOR*	2	3.50
713HD	RUBBER BUMPER*	1	19.00
1501A-A	PULL STICK ASSEMBLY	1	45.00

**GO 62HD PARTS**



620HD	FRAME	1	536.00
621	REEL COMPLETE	1	200.00
621HD	SCREEN GUARD	1	38.00
621P	POLY DRUM COMPLETE	1	235.00
622	ANCHOR CABLE - Ref #SAC 01	1	51.00
623	DRIVE ARM-LARGE	1	50.00
624	DRIVE ARM-SMALL	1	50.00
625	DRIVE ARM BUSHING	1	15.00
626HD	DRIVE SHAFT	1	50.00
627HD	MOTOR PULLEY*	1	35.00
630HD	MOTOR* 1/3 HP, GO 62HD	1	358.00
630HDC	CAPACITORS*, SET OF 2	1	102.00
631	WHEEL*	2	31.00
631A	WHEEL BEARING *	1	7.50

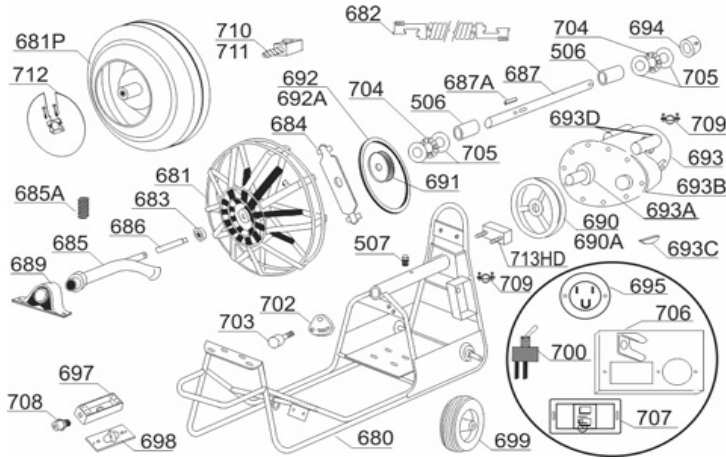
PART #	DESCRIPTION	REQ	\$ EA
632	DRUM CONNECTOR 5/8"	1	11.00
501	REEL (1/2" X 100' MAX)	1	142.00
501A	REEL (1/2" X 125' MAX)	1	179.00
501P	POLY DRUM (1/2" X 100' MAX)	1	174.00
502	REEL (3/8" X 90' MAX)	1	157.00
502P	POLY DRUM (3/8" X 90' MAX)	1	168.00
514	DRUM CONNECTOR 3/8" THRU 1/2"	1	10.00
516	REEL & DRUM SAFETY DISK	1	40.00
683	REEL CENTER BEARING*	1	15.00
684	DRIVE PLATE	1	35.00
685A	DRIVE ARM SET SCREW*	1	0.75
686	DRIVE ARM EXTENSION	1	18.00
687HDA	SHAFT KEY	1	5.50
687HDB	SHAFT KEY	1	5.50
688HD	PILLOW BLOCK 1**	1	33.00
689	PILLOW BLOCK 1 1/4**	1	40.00
693HDB	MOTOR SHAFT KEY*	1	5.50
694	SHAFT COLLAR*	3	9.00
695	ELECTRIC PLUG*	1	20.00
697	SWITCH BOX*	1	15.00
698	COVER PLATE*	1	15.00
690HD	MOTOR PULLEY*	1	35.00
692HD	BELT*	1	13.00
700	FOR/REV SWITCH*	1	20.00
704HD	GEAR BOX*	1	573.00
706	GFI COVER PLATE	1	30.00
707	GFI*	1	101.00
708	COMPRESSION FITTING*	1	13.00
709	CORD CONNECTOR*	2	3.50
712	DRUM SAFETY DISK	1	70.00
713HD	RUBBER BUMPER*	1	19.00



**Warning:** This product can expose you to chemicals including beryllium, chromium, crystalline, diethanolamine, lead, nickel, nickel compounds and silica which is (are) known to the State of California to cause cancer or birth defects or other reproductive harm. For more information visit [www.P65Warnings.ca.gov](http://www.P65Warnings.ca.gov).



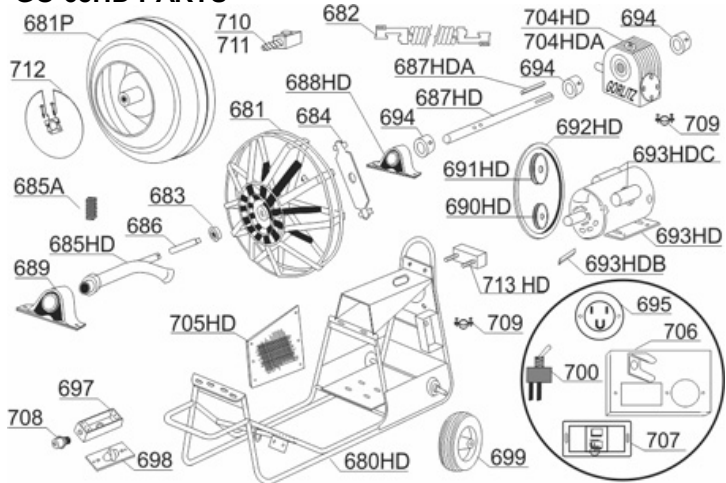
### GO 68 PARTS



PART #	DESCRIPTION	REQ	\$ EA
680	FRAME	1	626.00
681	REEL COMPLETE	1	210.00
681P	POLY DRUM COMPLETE	1	245.00
682	ANCHOR CABLE - Ref #SAC 02	1	52.00
683	REEL CENTER BEARING*	1	15.00
684	DRIVE PLATE	1	35.00
685	DRIVE ARM	1	55.00
685A	DRIVE ARM SET SCREW*	1	0.75
686	DRIVE ARM EXTENSION	1	18.00
687	DRIVE SHAFT	1	55.00
687A	SHAFT KEY	1	5.50

PART #	DESCRIPTION	REQ	\$ EA
689	PILLOW BLOCK 1 1/4**	1	40.00
690	MOTOR PULLEY*	1	40.00
691	SHAFT PULLEY*	1	35.00
692	BELT* (1980-2016)	1	20.00
692A	BELT* (2017-2018)	1	20.00
693	MOTOR*	1	797.00
693C	WOODRUFF KEY*	1	5.50
693D	CAPACITORS*, SET OF 2	1	102.00
694	SHAFT COLLAR*	1	9.00
695	ELECTRIC PLUG*	1	20.00
697	SWITCH BOX*	1	15.00
698	COVER PLATE*	1	15.00
699	WHEEL*	2	33.00
700	FOR/REV SWITCH*	1	22.00
702	BELT TENSION PLATE	1	17.00
703	BELT TENSION BEARING*	1	30.00
704	THRUST BEARING*	2	9.50
705	THRUST WASHER*	4	6.50
706	GFI COVER PLATE	1	30.00
707	GFI*	1	101.00
708	COMPRESSION FITTING*	1	13.00
709	CORD CONNECTOR*	2	3.50
710	DRUM CONNECTOR 11/16"	1	12.00
711	DRUM CONNECTOR 3/4"	1	12.00
712	DRUM SAFETY DISK	1	70.00
713HD	RUBBER BUMPER*	1	19.00
506	SHAFT BUSHING*	2	17.00
507	ZERK FITTING*	1	3.25

### GO 68HD PARTS



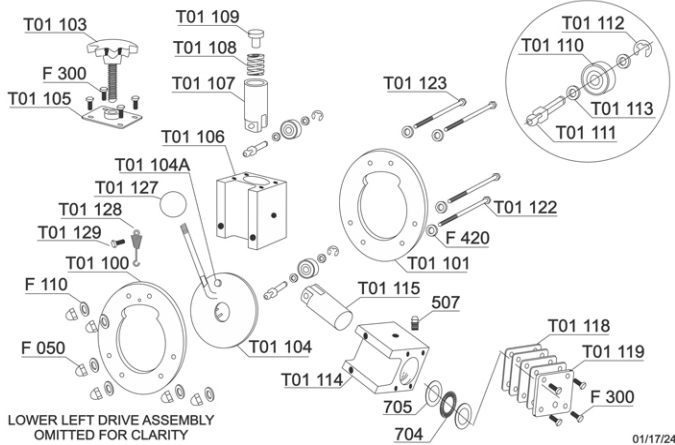
PART #	DESCRIPTION	REQ	\$ EA
680HD	FRAME	1	696.00
681	REEL COMPLETE	1	210.00
681P	POLY DRUM COMPLETE	1	245.00
682	ANCHOR CABLE - Ref #SAC 02	1	52.00
683	REEL CENTER BEARING*	1	15.00
684	DRIVE PLATE	1	35.00
685HD	DRIVE ARM	1	55.00
685A	DRIVE ARM SET SCREW*	1	0.75
686	DRIVE ARM EXTENSION	1	18.00

687HD	DRIVE SHAFT	1	55.00
687HDA	SHAFT KEY	1	5.50
688HD	PILLOW BLOCK 1**	1	33.00
689	PILLOW PLOCK 1 1/4**	1	40.00
690HD	MOTOR PULLEY*	1	35.00
691HD	GEAR BOX PULLEY*	1	35.00
692HD	BELT*	1	13.00
693HD	MOTOR*	1	526.00
693HDB	MOTOR SHAFT KEY*	1	5.50
693HDC	CAPACITORS*, SET OF 2	1	102.00
694	SHAFT COLLAR*	3	9.00
695	ELECTRIC PLUG*	1	20.00
697	SWITCH BOX*	1	15.00
698	COVER PLATE*	1	15.00
699	WHEEL*	2	33.00
700	FOR/REV SWITCH*	1	20.00
704HD	GEAR BOX*	1	573.00
705HD	SCREEN GUARD	1	40.00
706	GFI COVER PLATE	1	30.00
707	GFI*	1	101.00
708	COMPRESSION FITTING*	1	13.00
709	CORD CONNECTOR*	2	3.50
710	DRUM CONNECTOR 11/16"	1	12.00
711	DRUM CONNECTOR 3/4"	1	12.00
712	DRUM SAFETY DISK	1	70.00
713HD	RUBBER BUMPER*	1	19.00



**Warning:** This product can expose you to chemicals including beryllium, chromium, crystalline, diethanolamine, lead, nickel, nickel compounds and silica which is (are) known to the State of California to cause cancer or birth defects or other reproductive harm. For more information visit [www.P65Warnings.ca.gov](http://www.P65Warnings.ca.gov).

### T 01 FEEDER PARTS



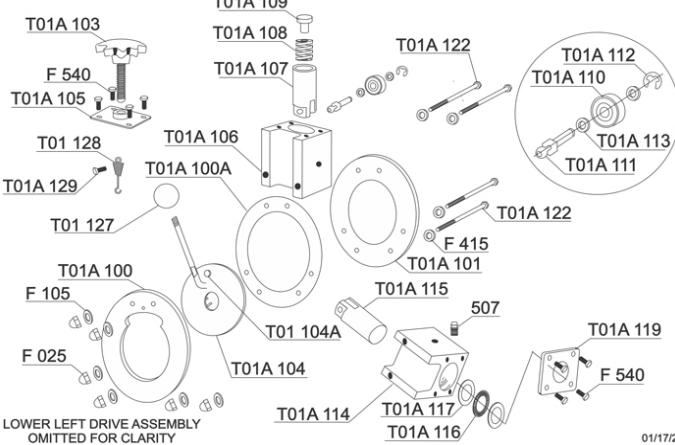
LOWER LEFT DRIVE ASSEMBLY OMITTED FOR CLARITY

01/17/24

PART #	DESCRIPTION	REQ	\$ EA
T01 100	FRONT DISK	1	51.50
T01 101	REAR DISK	1	45.00
T01 103	HAND KNOB*	1	25.00
T01 104	MOVEMENT ASSEMBLY	1	55.00
T01 104A	MOVEMENT STOP PIN	1	3.25
T01 105	UPPER END PLATE	1	8.00

PART#	DESCRIPTION	REQ	\$ EA
T01 106	LONG HOUSING	1	45.00
T01 107	UPPER PISTON	1	25.00
T01 108	SPRING*	1	19.00
T01 109	PRESSURE PAD	1	8.00
T01 110	DRIVE BEARING*	3	17.00
T01 111	DRIVE PIN*	3	15.00
T01 112	SPRING RETAINER*	3	2.25
T01 113	SPACER	6	1.25
T01 114	SHORT HOUSING	2	40.00
T01 115	LOWER PISTON	2	25.00
T01 118	ADJUSTMENT PLATE	8	3.25
T01 119	LOWER END PLATE	2	5.25
T01 122	LOWER HEX BOLT*	4	2.25
T01 123	UPPER HEX BOLT*	2	2.25
T01 127	BLACK PLASTIC KNOB*	1	9.00
T01 128	TENSION SPRING*	1	14.75
T01A 129	TENSION SPRING SCREW*	1	0.75
507	GREASE NIPPLE*	6	3.25
704	THRUST BEARING*	2	9.50
705	THRUST RACE*	4	6.50
F 050	ACORN NUT*	6	2.25
F 110	LOCK WASHER*	6	0.50
F 300	HEX BOLT*	12	0.75
F 420	FLAT WASHER*	6	0.50

### T 01A FEEDER PARTS



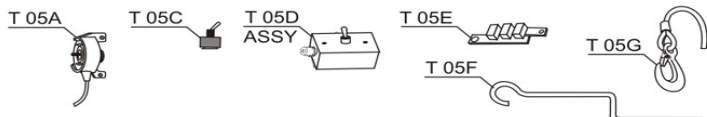
LOWER LEFT DRIVE ASSEMBLY OMITTED FOR CLARITY

01/17/24

PART #	DESCRIPTION	REQ	\$ EA
T01A 100	FRONT DISK	1	45.00
T01A 100A	MOVEMENT RETAINING RING	1	29.50
T01A 101	REAR DISK	1	29.50
T01A 103	HAND KNOB*	1	25.00
T01A 104	MOVEMENT ASSEMBLY	1	55.00
T01A 105	UPPER END PLATE	1	8.00

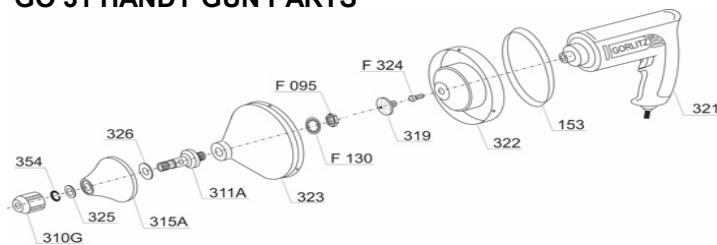
T01A 106	LONG HOUSING	1	45.00
T01A 107	UPPER PISTON	1	25.00
T01A 108	SPRING*	1	19.00
T01A 109	PRESSURE PAD	1	8.00
T01A 110	DRIVE BEARING*	3	18.00
T01A 111	DRIVE PIN*	3	15.00
T01A 112	SPRING RETAINER*	3	2.25
T01A 113	SPACER	6	1.25
T01A 114	SHORT HOUSING	2	40.00
T01A 115	LOWER PISTON	2	25.00
T01A 116	THRUST BEARING*	2	9.50
T01A 117	THRUST RACE*	4	6.50
T01A 119	LOWER END PLATE	2	5.25
T01A 122	LOWER HEX BOLT*	4	2.25
T01A 123	UPPER HEX BOLT*	2	2.25
T01 127	BLACK PLASTIC KNOB*	1	9.00
T01 128	TENSION SPRING*	1	14.75
T01A 129	TENSION SPRING SCREW*	1	0.75
T01 104A	MOVEMENT STOP PIN	1	3.25
507	GREASE NIPPLE*	6	3.25
F 025	ACORN NUT*	6	2.25
F 105	LOCK WASHER*	6	0.50
F 415	FLAT WASHER*	6	0.50
F 540	HEX BOLT*	12	0.75

### T 05 WINCH PARTS



T 05C	R/C TOGGLE SWITCH*	1	31.00
T 05D	R/C TOGGLE SWITCH ASSEMBLY*	1	69.00
T 05E	FUSE*	1	38.00

### GO 31 HANDY GUN PARTS



310G	GORLITZ CHUCK COMPLETE	1	72.00
311A	CHUCK SPINDLE	1	51.00
315A	PLASTIC HANDGUARD*	1	40.00

319	CABLE GUIDE	1	15.00
321	SKILL DRILL POWER UNIT*	1	200.00
322	REAR DRUM SECTION	1	45.00
323	FRONT DRUM SECTION	1	45.00
325	SPINDLE WASHER, FRONT*	1	8.50
326	SPINDLE WASHER, BACK*	1	9.50
350	DRUM SCREWS*	4	0.70
354	SPINDLE RETAINING RING*	1	3.25
153	DRUM RUBBER SLEEVE*	1	12.00
F 095	3/4-16 JAM NUT*	1	2.25
F 130	3/4 INTERNAL TOOTH LOCKWASHER*	1	3.25
F 324	10-32 X 5/8 FHSCS LF*	1	0.75



**Warning:** This product can expose you to chemicals including beryllium, chromium, crystalline, diethanolamine, lead, nickel, nickel compounds and silica which is (are) known to the State of California to cause cancer or birth defects or other reproductive harm. For more information visit [www.P65Warnings.ca.gov](http://www.P65Warnings.ca.gov).



# GORLITZ SEWER & DRAIN INC.

PL 2023  
REV 1

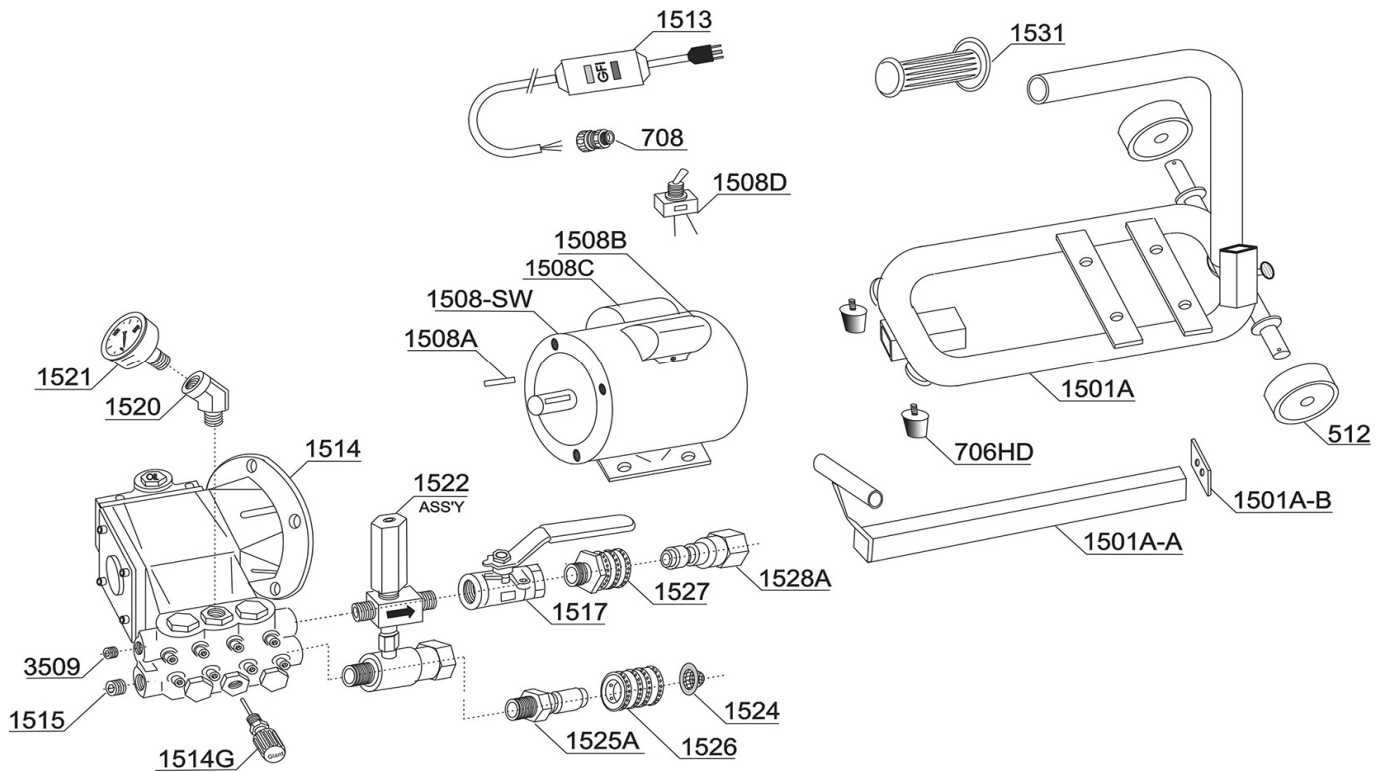
10132 NORWALK BLVD.  
SANTA FE SPRINGS, CA. 90670  
TEL (562) 944-3060  
FAX (562) 944-7630

Email: [sales@gorlitz.com](mailto:sales@gorlitz.com)  
Internet: <http://www.gorlitz.com>



4-Nov-23

## MODEL GO 1500A



PART #	GO 1500A DESCRIPTION	QTY	PRICE \$
1501A	FRAME	1	220.00
1501A-A	PULLSTICK	1	45.00
1501A-B	STOP	1	7.50
1508 SW	MOTOR *	1	647.00
1508A	MOTOR SHAFT KEY	1	5.50
1508B	MOTOR START CAPACITOR *	1	60.00
1508C	MOTOR RUN CAPACITOR *	1	60.00
1508D	TOGGLE SWITCH *	1	35.00
1509	COMPRESSION FITTING*	1	20.00
1513	ELECTRIC CORD W. GFI *	1	145.00
1514	PUMP *	1	700.00
1514G	PULSATOR VALVE*	1	87.00
1515	HEX PLUG 1/2" *	1	7.50
1517	BRASS BALL VALVE 3/8" *	2	27.00
1520	45° HP STREET ELBOW *	1	27.00
1521	SS PRESSURE GAUGE *	1	66.00

PART #	GO 1500A DESCRIPTION	QTY	PRICE \$
1522	PRES/REG UNLOADER - GIANT	1	157.00
1524	MESH SCREEN *	1	3.50
1525A	MALE HOSE NIPPLE 1/2"	1	20.00
1526	HOSE COUPLER *	1	16.00
1527	MALE COUPLER 3/8" *	1	17.00
1528A	FEMALE NIPPLE 1/8"	1	15.00
1531	HAND GRIP *	1	14.00
512	WHEEL *	2	20.00
706HD	RUBBER FEET *	2	10.00
708	COMPRESSION FITTING *	1	13.00
3509	HEX PLUG 3/8" *	1	8.50
F 600	COTTER PIN *	2	1.00

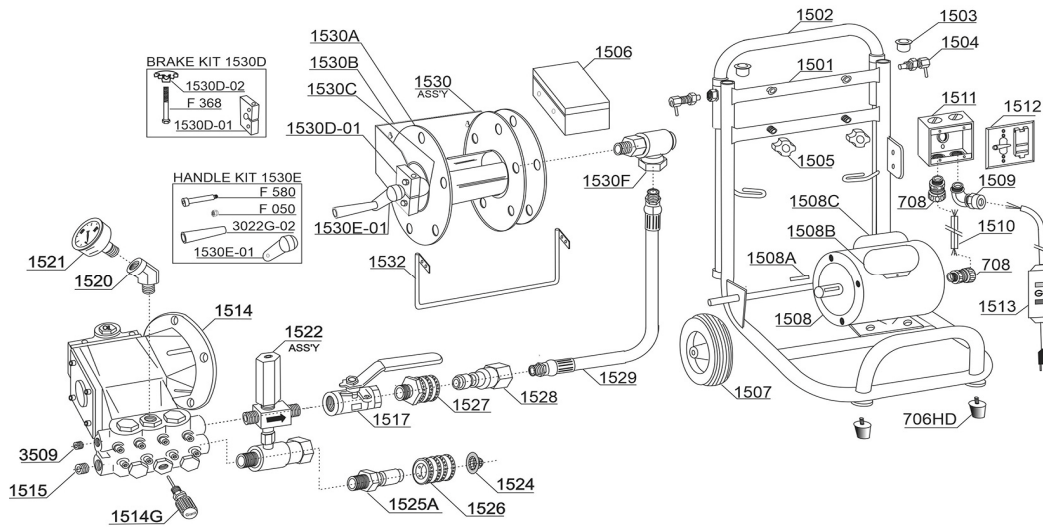
### Replacement Parts for Giant Pumps:

G 9525	PLUNGER PACKING KIT * (Giant)	1	84.00
G 9116	VALVE ASSEMBLY KIT * (Giant)	1	84.00
G 9144	OIL SEAL KIT * (Giant)	1	27.50



**Warning:** This product can expose you to chemicals including beryllium, chromium, crystalline, diethanolamine, lead, nickel, nickel compounds and silica which is (are) known to the State of California to cause cancer or birth defects or other reproductive harm. For more information visit [www.P65Warnings.ca.gov](http://www.P65Warnings.ca.gov).

## MODEL GO 1500



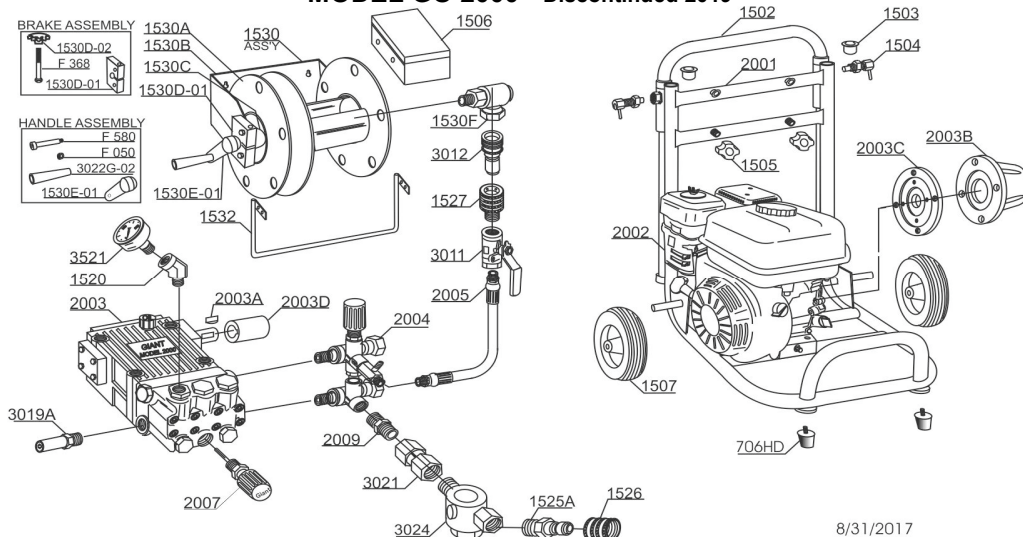
PART #	GO 1500 DESCRIPTION	QTY	PRICE \$
1501	FRAME	1	370.00
1502	HANDLE COMPLETE	1	88.00
1503	PLASTIC CAP *	2	3.50
1504	HANDLE LOCK *	2	30.00
1505	KNURL KNOB *	2	9.00
1506	TOOL BOX*	1	46.00
1507	WHEEL *	2	32.00
1508 SW	MOTOR *	1	647.00
1508A	MOTOR SHAFT KEY	1	5.50
1508B	MOTOR START CAPACITOR *	1	60.00
1508C	MOTOR RUN CAPACITOR *	1	60.00
1509	COMPRESSION FITTING *	1	20.00
1510	ELECTRIC CORD, 3 WIRE * - Ref # F 755	1	5.50
1511	JUNCTION BOX *	1	22.00
1512	COVER PLATE COMPLETE *	1	37.00
1513	ELECTRIC CORD WITH GFI *	1	145.00
1514	PUMP *	1	700.00
1514G	PULSATOR VALVE *	1	87.00
1515	HEX PLUG 1/2" *	1	7.50
1517	BRASS BALL VALVE 3/8" *	2	27.00
1520	45° HP STREET ELBOW *	1	27.00
1521	SS PRESSURE GAUGE *	1	66.00
1522	PRES/REG UNLOADER - GIANT*	1	157.00
1524	MESH SCREEN *	1	3.50
1525A	MALE HOSE NIPPLE 1/2"	1	20.00

PART #	GO 1500 DESCRIPTION	QTY	PRICE \$
1526	HOSE COUPLER *	1	16.00
1527	MALE COUPLER 3/8" *	1	17.00
1528	FEMALE NIPPLE 3/8" *	1	15.00
1529	SUPPLY HOSE *	1	22.00
1530	REEL ASSEMBLY	1	360.00
1530A	REEL	1	185.00
1530B	BRACKET	1	124.00
1530C	BEARING *	2	15.00
1530D-01	BRAKE PAD	1	15.00
1530D-02	KNOB *	1	8.00
1530E-01	CRANK	1	16.00
1530F	SWIVEL ARM *	1	66.50
1532	HOSE GUARD	1	55.00
706HD	RUBBER FEET *	2	10.00
708	COMPRESSION FITTING *	2	13.00
3022G-02	HANDLE *	1	18.00
3509	HEX PLUG 3/8" *	1	8.50
F 050	ACORN NUT *	1	2.25
F 368	HEX BOLT *	1	2.25
F 580	SHOULDER BOLT *	1	4.25
F 600	COTTER PIN *	2	1.00

### Replacement Parts for Giant Pumps:

PART #	DESCRIPTION	QTY	PRICE \$
G 9525	PLUNGER PACKING KIT * (Giant)	1	84.00
G 9116	VALVE ASSEMBLY KIT * (Giant)	1	84.00
G 9144	OIL SEAL KIT * (Giant)	1	27.50

## MODEL GO 2000 - Discontinued 2019



8/31/2017

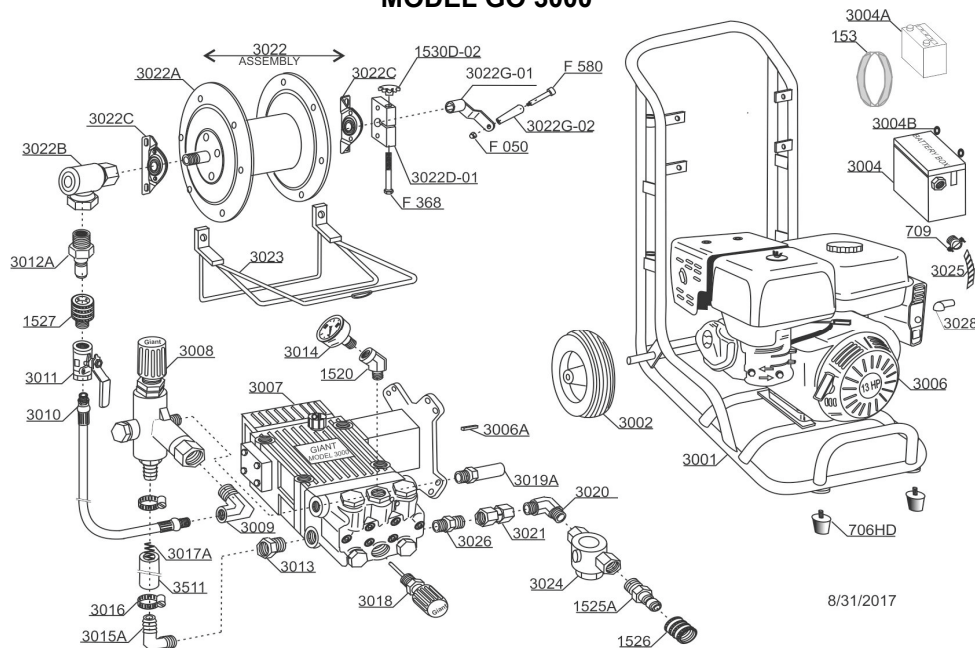


**Warning:** This product can expose you to chemicals including beryllium, chromium, crystalline, diethanolamine, lead, nickel, nickel compounds and silica which is (are) known to the State of California to cause cancer or birth defects or other reproductive harm. For more information visit [www.P65Warnings.ca.gov](http://www.P65Warnings.ca.gov).

PART #	GO 2000 DESCRIPTION	QTY	PRICE \$
2001	FRAME	1	372.00
2002	MOTOR 6.5HP *	1	809.00
2003	PUMP *	1	879.00
2003A	WOODRUFF KEY *	1	5.50
2003B	PUMP TO MOTOR CONE *	1	81.00
2003C	PUMP TO MOTOR DISC *	1	53.00
2003D	COUPLER *	1	23.00
2004	PRES/REG UNLOADER ASSEMBLY *	1	145.00
2005	SUPPLY HOSE *	1	22.00
2007	PULSATOR VALVE ASSEMBLY *	1	115.00
2009	HEX NIPPLE	1	10.50
1502	HANDLE COMPLETE	1	88.00
1503	PLASTIC CAP *	2	3.50
1504	HANDLE LOCK *	2	30.00
1505	KNURL KNOB *	2	9.00
1506	TOOL BOX *	1	46.00
1507	WHEEL *	2	32.00
1520	45° HP STREET ELBOW *	1	27.00
1525A	MALE HOSE NIPPLE 1/2" *	1	20.00
1526	HOSE COUPLER *	1	16.00
1527	MALE COUPLER 3/8" *	1	17.00
1528	FEMALE NIPPLE 3/8" *	1	15.00
1528A	FEMALE NIPPLE 1/8" *	1	15.00
1530	REEL ASSEMBLY	1	360.00

PART #	GO 2000 DESCRIPTION	QTY	PRICE \$
1530A	REEL	1	185.00
1530B	BRACKET	1	124.00
1530C	BEARING *	1	15.00
1530D-01	BRAKE PAD	1	15.00
1530D-02	KNOB *	1	8.00
1530E-01	CRANK	1	16.00
1530F	SWIVEL ARM *	1	66.50
1532	HOSE GUARD	1	55.00
706HD	RUBBER FEET *	2	10.00
3011	SS BALL VALVE 3/8" *	1	91.00
3012	MALE NIPPLE 3/8" *	1	15.00
3019A	THERMAL RELIEF VALVE *	1	35.00
3021	BACK FLOW CHECK VALVE *	1	51.00
3022G-02	HANDLE *	1	18.00
3024	FILTER *	1	52.00
3026	HEX NIPPLE 1/2" *	1	15.00
3521	SS PRESSURE GAUGE *	1	72.00
F 050	ACORN NUT *	1	2.25
F 368	HEX BOLT *	1	2.25
F 580	SHOULDER BOLT *	1	4.25
F 600	COTTER PIN *	2	1.00
G 9116	PUMP VALVE ASSEMBLY KIT * (Giant)	1	84.00
G 9144	PUMP OIL SEAL KIT * (Giant)	1	27.50
G 9164	PUMP PLUNGER PACKING KIT * (Giant)	1	84.00

### MODEL GO 3000



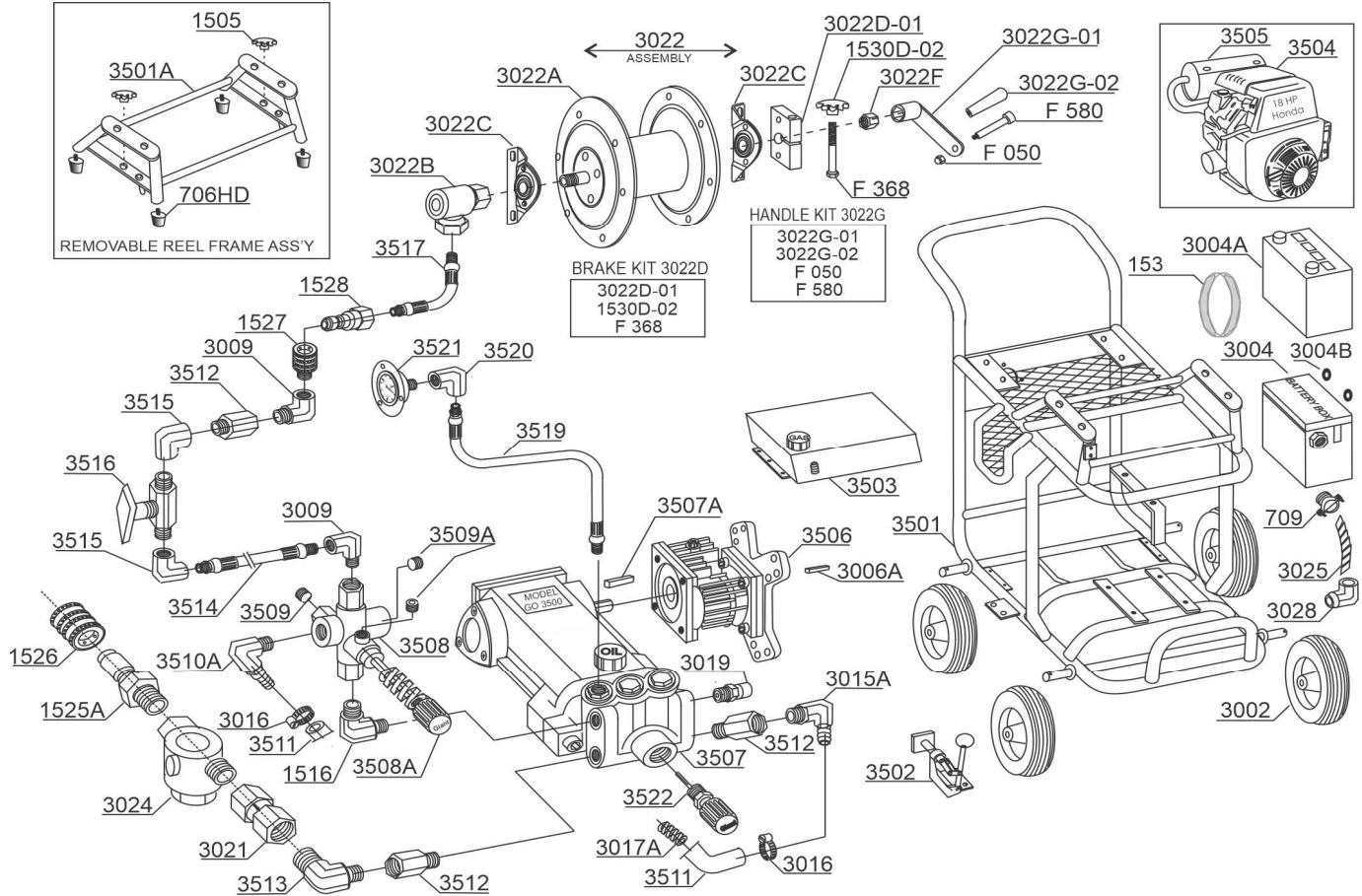
PART #	GO 3000 DESCRIPTION	QTY	\$ EA.
3001	FRAME	1	592.00
3002	WHEEL *	2	32.00
3004	BATTERY BOX *	1	49.00
3004A	BATTERY *	1	130.00
3004B	BATTERY BOX GROMMET *	2	1.25
3006	MOTOR 13HP *	1	1335.00
3006A	MOTOR SHAFT KEY 3/8" *	1	5.50
3007	PUMP *	1	1383.00
3008	PRES/REG UNLOADER ASS'Y *	1	165.00
3009	HP STREET ELBOW 3/8" *	1	29.00
3010	SUPPLY HOSE *	1	28.00
3011	SS BALL VALVE 3/8" *	1	91.00
3012A	MALE NIPPLE 1/2" *	1	15.00
3013	REDUCER 1/2" X 3/8"	1	8.50
3015A	90° HOSE BARB	1	15.00
3016	HOSE CLAMP	2	4.25
3018	PULSATOR VALVE ASSEMBLY *	1	115.00
3019A	THERMAL RELIEF VALVE *	1	35.00
3020A	STREET ELBOW 1/2" *	1	15.00
3021	BACK FLOW CHECK VALVE *	1	51.00
3022	REEL ASSEMBLY	1	470.00
3022A	REEL	1	288.00
3022B	SWIVEL ARM *	1	81.00
3022C	BEARING *	2	37.00
3022D-01	BRAKE PAD	1	15.00

PART #	GO 3000 DESCRIPTION	QTY	\$ EA.
3022G-01	CRANK	1	16.00
3022G-02	HANDLE *	1	18.00
3023	HOSE GUARD	1	70.00
3024	FILTER *	1	52.00
3025	SPIRAL WRAP *	1	4.25
3026	MALE NIPPLE 1/2" *	1	15.00
3028	PROTECTIVE RUBBER BOOT *	1	8.50
3521	SS PRESSURE GAUGE *	1	72.00
706HD	RUBBER FEET *	2	10.00
153	DRUM RUBBER SLEEVE *	1	12.00
709	CORD CONNECTOR *	1	3.50
1520	45° HP STREET ELBOW *	1	27.00
1525A	MALE HOSE NIPPLE 1/2" *	1	20.00
1526	HOSE COUPLER *	1	16.00
1527	MALE COUPLER 3/8" *	1	17.00
1528A	FEMALE NIPPLE 1/8" *	1	15.00
1530D-02	KNOB *	1	8.00
F 050	ACORN NUT *	1	2.25
F 320	1/4"-20 X 4" HEX BOLT *	1	2.25
F 368	3/8"-16 X 4.5" HEX BOLT *	1	2.25
F 600	COTTER PIN *	2	1.00
<b>Replacement Parts for Giant Pumps:</b>			
G 9116	PUMP VALVE ASSEMBLY KIT * (Giant)	1	84.00
G 9119	PUMP PLUNGER PACKING KIT * (Giant)	1	84.00
G 9144	PUMP OIL SEAL KIT * (Giant)	1	27.50



**Warning:** This product can expose you to chemicals including beryllium, chromium, crystalline, diethanolamine, lead, nickel, nickel compounds and silica which is (are) known to the State of California to cause cancer or birth defects or other reproductive harm. For more information visit [www.P65Warnings.ca.gov](http://www.P65Warnings.ca.gov).

## MODEL GO 3500



PART #	GO 3500 DESCRIPTION	QTY	PRICE \$
3501	FRAME	1	825.00
3502	BRAKE ASSEMBLY	1	50.00
3503	FUEL TANK *	1	239.00
3504	MOTOR 18HP *	1	2158.00
3505	MUFFLER *	1	225.00
3506	GEAR BOX *	1	384.00
3507	PUMP *	1	1245.00
3507A	PUMP SHAFT KEY 1/2" *	1	5.50
3508	PRES/REG UNLOADER *	1	111.00
3509	HEX PLUG 3/8" *	1	8.50
3509A	HEX PLUG 1/4" *	2	8.50
3510A	HOSE BARB *	1	19.00
3511	BY PASS HOSE 1/2" *	1	5.25
3512	HP EXPANDER 3/8" *	2	15.00
3513	MALE ELBOW 1/2" X 3/8" *	1	15.00
3514	SUPPLY HOSE (TO VALVE) *	1	28.00
3515	HP FEMALE ELBOW 3/8" *	2	28.00
3516	INSTRUMENTATION VALVE *	1	111.00
3517	SUPPLY HOSE (TO REEL) * - Ref # 4017	1	28.00
3519	PRESSURE HOSE (TO GAUGE) *	1	21.00
3520	HP FEMALE ELBOW 1/4" *	1	19.00
3521	SS PRESSURE GAUGE *	1	72.00
3522	PULSATOR VALVE ASSEMBLY *	1	115.00
3530	PANEL LABEL	1	33.00
153	DRUM RUBBER SLEEVE *	1	12.00
706HD	RUBBER FEET *	4	10.00
709	CORD CONNECTOR *	1	3.50
1505	KNURL KNOB	2	9.00
1516	HP MALE ELBOW 3/8" *	1	29.00
1525A	MALE HOSE NIPPLE 1/2"	1	20.00
1526	HOSE COUPLER *	1	16.00
1527	MALE COUPLER 3/8" *	1	17.00

PART #	GO 3500 DESCRIPTION	QTY	PRICE \$
1528A	FEMALE NIPPLE 1/8" *	1	15.00
1530D-02	KNOB *	1	8.00
3002	WHEEL *	4	33.00
3004	BATTERY BOX *	1	49.00
3004A	BATTERY *	1	130.00
3004B	BATTERY BOX GROMMET *	2	1.25
3006A	SHAFT KEY, MOTOR	1	5.50
3009	HP STREET ELBOW 3/8" *	1	29.00
3015	90° HOSE BARB *	1	15.00
3016	HOSE CLAMP *	2	4.25
3017A	SPRING *	1	10.00
3019	CAP POP-OFF VALVE *	1	35.00
3021	BACK FLOW CHECK VALVE *	1	51.00
3022	REEL ASSEMBLY	1	470.00
3022A	REEL	1	288.00
3022B	SWIVEL ARM *	1	81.00
3022C	BEARING *	2	37.00
3022D-01	BRAKE PAD	1	15.00
3022F	END CAP	1	5.25
3022G-01	CRANK	1	16.00
3022G-02	HANDLE *	1	18.00
3024	FILTER *	1	52.00
3025	SPIRAL WRAP *	1	4.25
3028	PROTECTIVE RUBBER BOOT *	1	8.50
F 050	ACORN NUT *	1	2.25
F 368	HEX BOLT *	1	2.25
F 580	SHOULDER BOLT *	1	4.25
F 600	COTTER PIN*	4	1.00

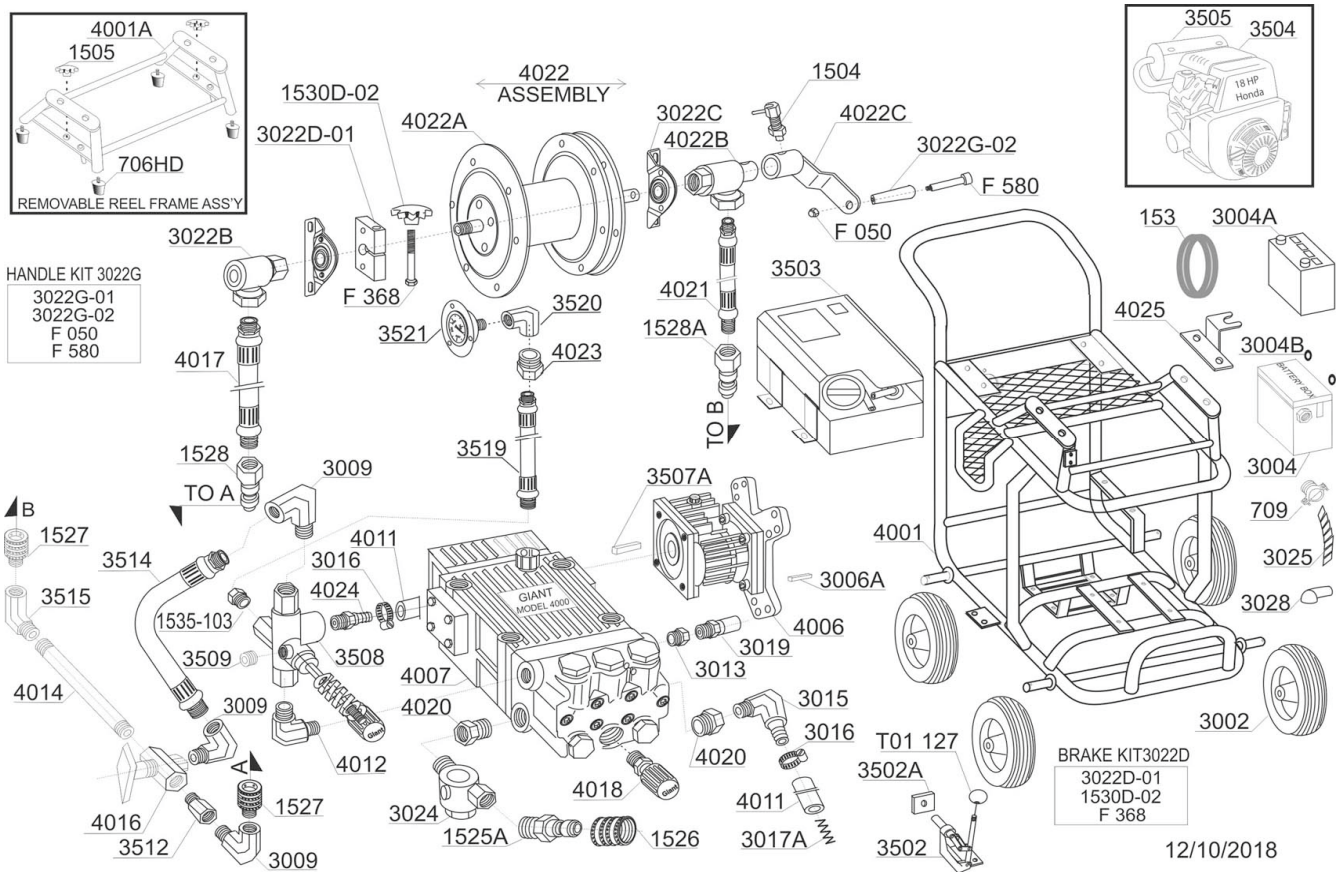
### Replacement Parts for Giant Pumps:

G 9238	PUMP PLUNGER PACKING KIT * (Giant)	1	85.00
G 9202	OIL SEAL KIT, P-58* (Giant)	1	85.00
G 9168	PUMP VALVE ASSEMBLY KIT * (Giant)	1	298.00



**Warning:** This product can expose you to chemicals including beryllium, chromium, crystalline, diethanolamine, lead, nickel, nickel compounds and silica which is (are) known to the State of California to cause cancer or birth defects or other reproductive harm. For more information visit [www.P65Warnings.ca.gov](http://www.P65Warnings.ca.gov).

## MODEL GO 4000



PART #	GO 4000 DESCRIPTION	QTY	PRICE \$
4001	FRAME	1	825.00
4006	GEAR BOX *	1	478.00
4007	PUMP *	1	2200.00
4011	BY PASS HOSE 1/2" *	1	5.50
4012	HP 1/2" X 3/8" MALE ELBOW *	1	127.00
4014	EXTENDED NIPPLE *	1	115.00
4016	3-WAY BALL VALVE *	1	211.00
4017	SUPPLY HOSE *	1	28.00
4018	PULSATOR VALVE ASSEMBLY *	1	115.00
4020	PIPE REDUCER *	2	30.00
4021	SUPPLY HOSE TO REEL, 1/8"	1	16.00
4022	REEL ASSEMBLY	1	774.00
4022A	SPLIT REEL	1	423.00
4022B	SWIVEL ARM	1	213.00
4022C	CRANK	1	16.00
4023	REDUCER 1/4" X 1/8" *	1	12.00
4025	REEL HOSE GUARD	1	22.00
1504	HANDLE LOCK *	1	30.00
1505	KNURL KNOB	2	9.00
1525A	MALE HOSE NIPPLE 1/2"	1	20.00
1526	HOSE COUPLER *	1	16.00
1527	MALE COUPLER 3/8" *	1	17.00
1528	FEMALE NIPPLE 3/8"	1	15.00
1528A	FEMALE NIPPLE 1/8" *	1	15.00
1530D-02	KNOB *	1	8.00
1535-103	REDUCER, 3/8"NPT TO 1/8" NPT	1	8.50
3004	BATTERY BOX *	1	49.00
3004A	BATTERY *	1	130.00
3004B	BATTERY BOX GROMMET *	3	1.25
3006A	SHAFT KEY, MOTOR	1	5.50
3009	HP STREET ELBOW 3/8" *	3	29.00
3013	REDUCER 1/2" X 3/8"	1	8.50
3015A	90° HOSE BARB *	1	15.00
3016	HOSE CLAMP *	2	4.25

PART #	GO 4000 DESCRIPTION	QTY	PRICE \$
3017A	SPRING *	1	10.00
3019	CAP POP-OFF VALVE *	1	35.00
3022B	SWIVEL ARM *	1	81.00
3022C	BEARING *	2	37.00
3022D-01	BRAKE PAD	1	15.00
3022G-02	HANDLE *	1	18.00
3024	FILTER *	1	52.00
3025	SPIRAL WRAP *	1	4.25
3028	PROTECTIVE RUBBER BOOT *	1	8.50
3502	BRAKE ASSEMBLY	1	50.00
3503	FUEL TANK *	1	240.00
3504	MOTOR 18HP *	1	2158.00
3505	MUFFLER *	1	225.00
3507A	PUMP SHAFT KEY 1/2" *	1	5.50
3508	PRES/REG UNLOADER *	1	111.00
3509	HEX PLUG 3/8" *	1	8.50
3512	HP EXPANDER 3/8" *	1	15.00
3514	SUPPLY HOSE (TO VALVE) *	1	28.00
3515	HP FEMALE ELBOW 3/8" *	1	28.00
3519	PRESSURE HOSE (TO GAUGE) *	1	21.00
3520	HP FEMALE ELBOW 1/4" *	1	19.00
3521	SS PRESSURE GAUGE *	1	72.00
3530	PANEL LABEL	1	33.00
153	DRUM RUBBER SLEEVE *	1	12.00
706HD	RUBBER FEET *	4	10.00
709	CORD CONNECTOR *	1	3.50
F 050	ACORN NUT *	1	2.25
F 368	HEX BOLT *	1	2.25
F 580	SHOULDER BOLT *	1	4.25
F 600	COTTER PIN*	4	1.00

**Replacement Parts for Giant Pumps:**

G 9141	PUMP PLUNGER PACKING KIT * (Giant)	1	144.00
G 9641	PUMP OIL SEAL KIT * (Giant)	1	29.00
G 9644	PUMP VALVE ASSEMBLY KIT * (Giant)	1	561.00



**Warning:** This product can expose you to chemicals including beryllium, chromium, crystalline, diethanolamine, lead, nickel, nickel compounds and silica which is (are) known to the State of California to cause cancer or birth defects or other reproductive harm. For more information visit [www.P65Warnings.ca.gov](http://www.P65Warnings.ca.gov).