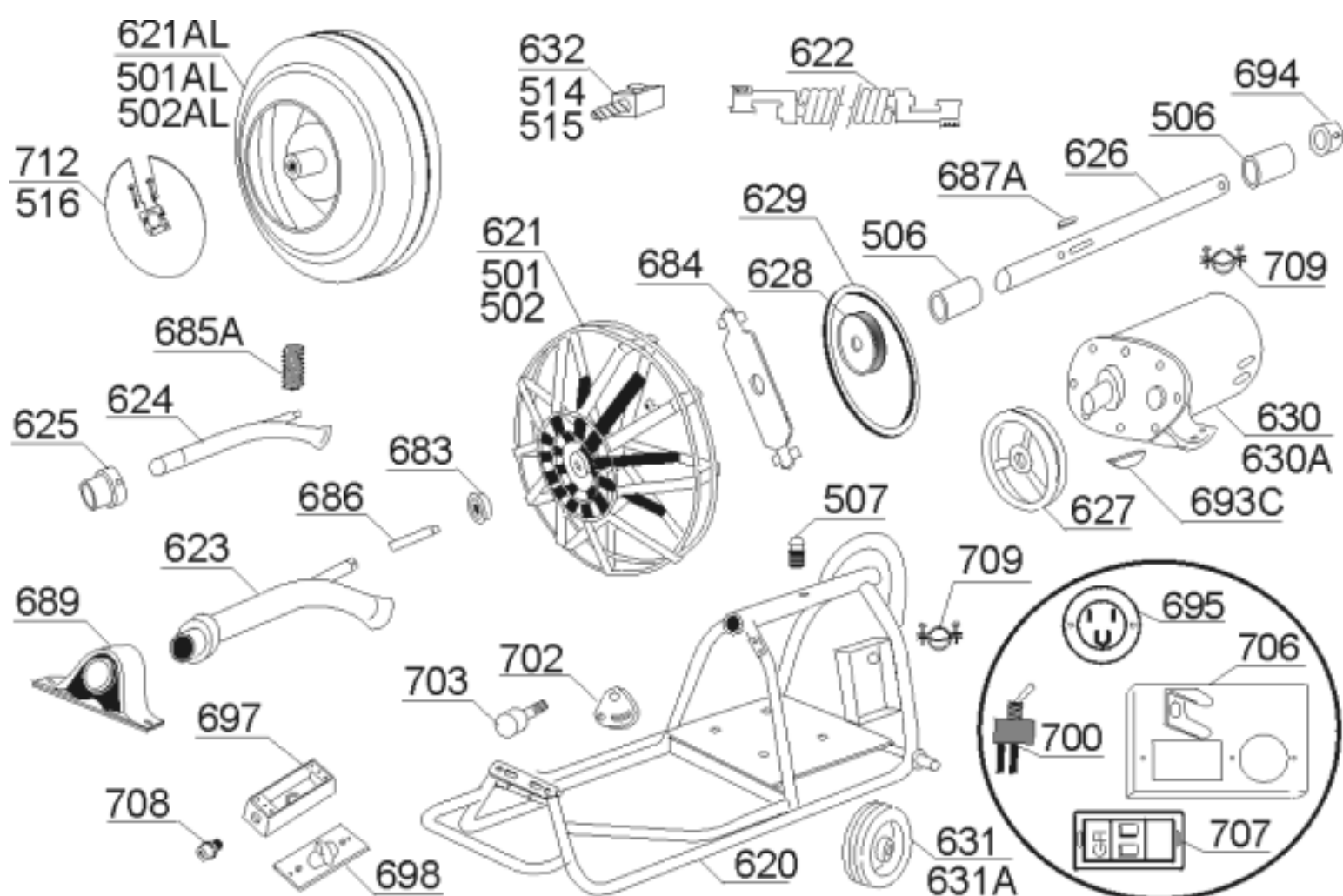


# GO 62 PARTS



PART #	DESCRIPTION	REQ
620	FRAME	1
621	REEL COMPLETE	1
621 AL	ALU DRUM COMPLETE	1
622	ANCHOR CABLE	1
623	DRIVE ARM-LARGE	1
624	DRIVE ARM-SMALL	1
625	DRIVE ARM BUSHING	1
626	DRIVE SHAFT	1
627	MOTOR PULLEY*	1
628	SHAFT PULLEY*	1
629	BELT*	1
630	MOTOR*	1
630A	STEEL REPLACEMENT GEAR*	1
631	WHEEL *	2
631A	WHEEL BEARING *	1
632	DRUM CONNECTOR 5/8"	1
501	REEL (1/2" X 100' MAX)	1
501 AL	ALU DRUM (1/2" X 100' MAX)	1
502	REEL (3/8" X 90' MAX)	1
502 AL	ALU DRUM (3/8" X 90' MAX)	1
506	SHAFT BUSHING*	2
507	ZERK FITTING*	1
514	DRUM CONNECTOR 3/8"	1
515	DRUM CONNECTOR 1/2"	1
516	REEL & DRUM SAFETY DISC	1
683	REEL CENTER BEARING*	1
684	DRIVE PLATE	1
685A	DRIVE ARM SET SCREW*	1
686	DRIVE ARM EXTENSION	1
687A	SHAFT KEY	1
689	PILLOW BLOCK 1 1/4"*	1
693C	WOODRUFF KEY*	1
694	SHAFT COLLAR*	1
695	ELECTRIC PLUG*	1
697	SWITCH BOX*	1
698	COVER PLATE*	1
700	FOR/REV SWITCH*	1
702	BELT TENSION PLATE	1
703	BELT TENSION BEARING*	1
706	GFI COVER PLATE	1
707	GFI*	1
708	COMPRESSION FITTING*	1
709	CORD CONNECTOR*	2
712	DRUM SAFETY DISK	1