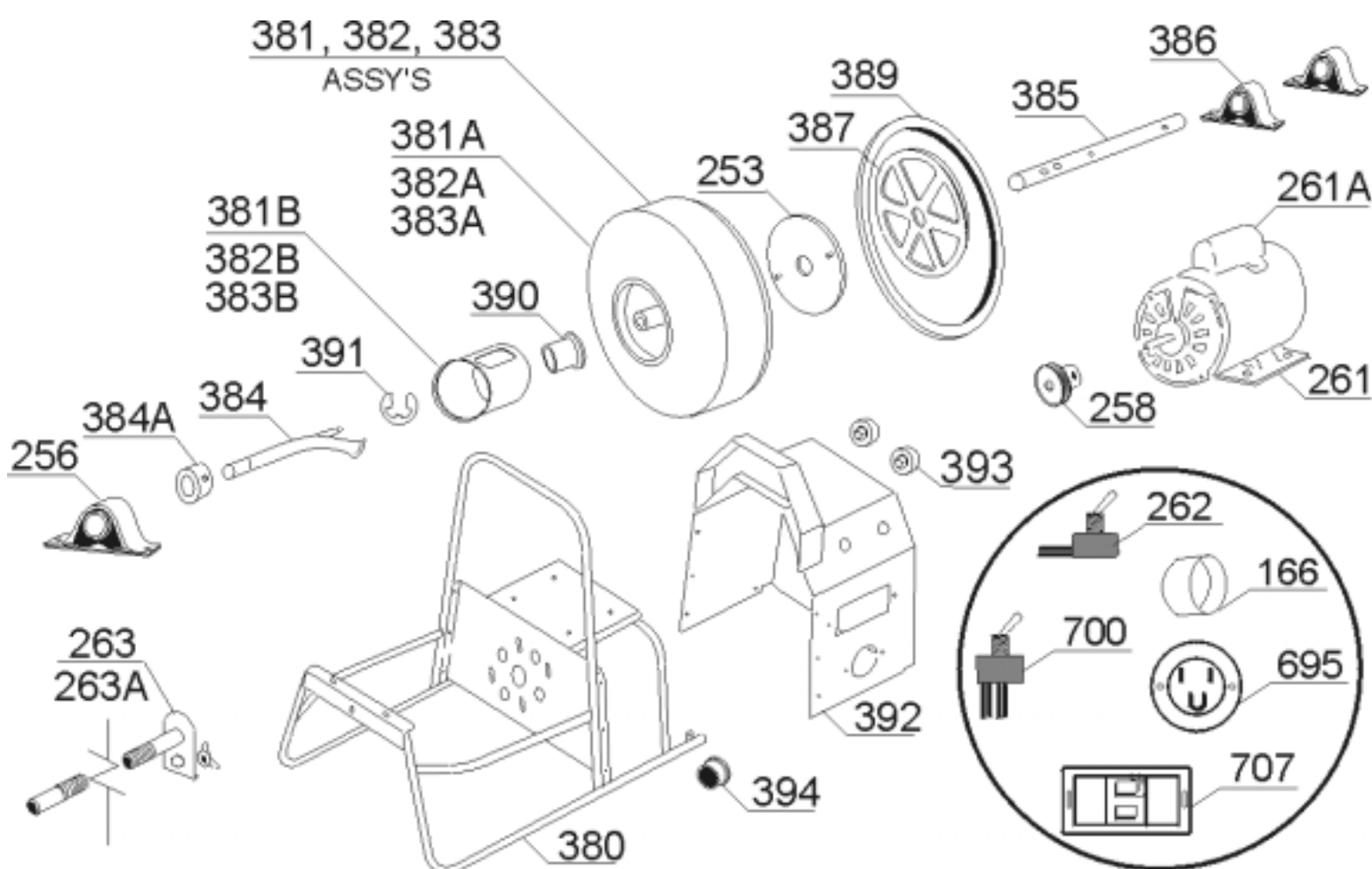


# GO 380/250 PARTS



PART #	DESCRIPTION	REQ
380	FRAME	1
381	DRUM ASSY (3/8" X 65' MAX)	1
381A	DRUM (3/8" X 65' MAX)	1
381B	INNER HUB	1
382	DRUM ASSY (1/4" X 50' MAX)	1
382A	DRUM (1/4" X 50' MAX)	1
382B	INNER HUB	1
383	DRUM ASSY (3/8" X 90' MAX)	1
383A	DRUM (3/8" X 90' MAX)	1
383B	INNER HUB	1
384	DRIVE ARM	1
384A	DRIVE ARM COLLAR*	1
385	DRIVE SHAFT	1
386	PILLOW BLOCK 5/8"*	2
387	SHAFT PULLEY*	1
389	BELT*	1
390	BUSHING*	1
391	RETAINING RING*	1
392	COVER HOUSING*	1
393	RUBBER BUMPER*	4
394	PLUG*	2
166	ELECTRIC PLUG SLEEVE*	1
253	DRIVE PLATE	1
256	PILLOW BLOCK 7/8"*	1
258	MOTOR PULLEY*	1
261	MOTOR*	1
261A	MOTOR CAPACITOR*	1
262	TOGGLE SWITCH*	1
263	ELEPHANT TRUNK (SM 1/4")	1
263A	ELEPHANT TRUNK (LG 3/8")	1
695	ELECTRIC PLUG*	1
700	FOR/REV SWITCH*	1
707	GFI*	1